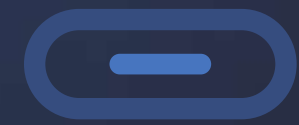




FOUR HEADS

Diode Laser Hair Removal Machine



With 3000W High Power Handle

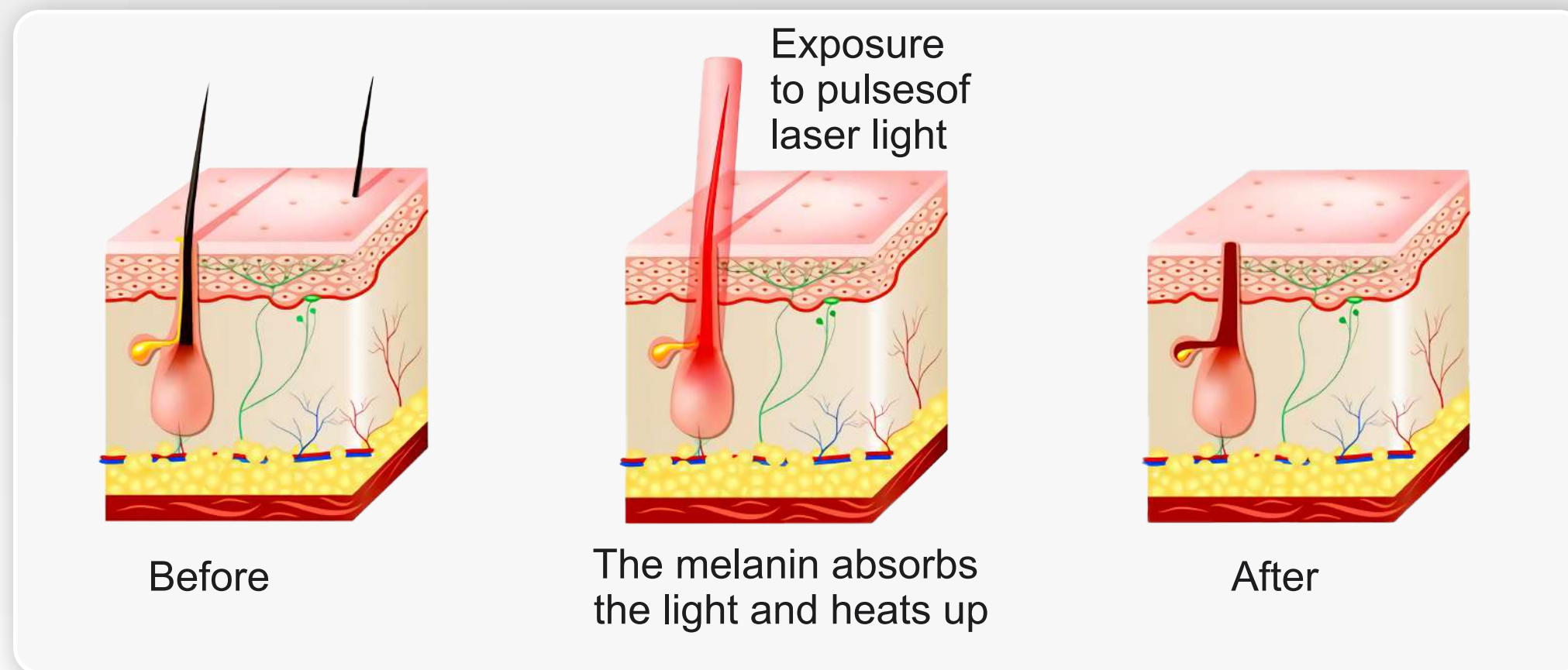
Most Powerful and Reliable Performance



Principle & Market

Laser Hair Removal Treatment Principle:

Based on the principle of selective photothermolysis, laser hair removal targets the entire hair structure, from the hair shaft down to the follicle. Light energy with a specific wavelength is absorbed by the endogenous chromophore melanin, resulting in the rapid heating and subsequent local thermal necrosis of the follicles' regenerative structures.



Laser hair removal is still one of the most popular aesthetic procedures. The treatment has gained acceptance globally and has become the standard for both women and men of all ages from early teens upward.



Product Display



Handpiece With Touch Screen

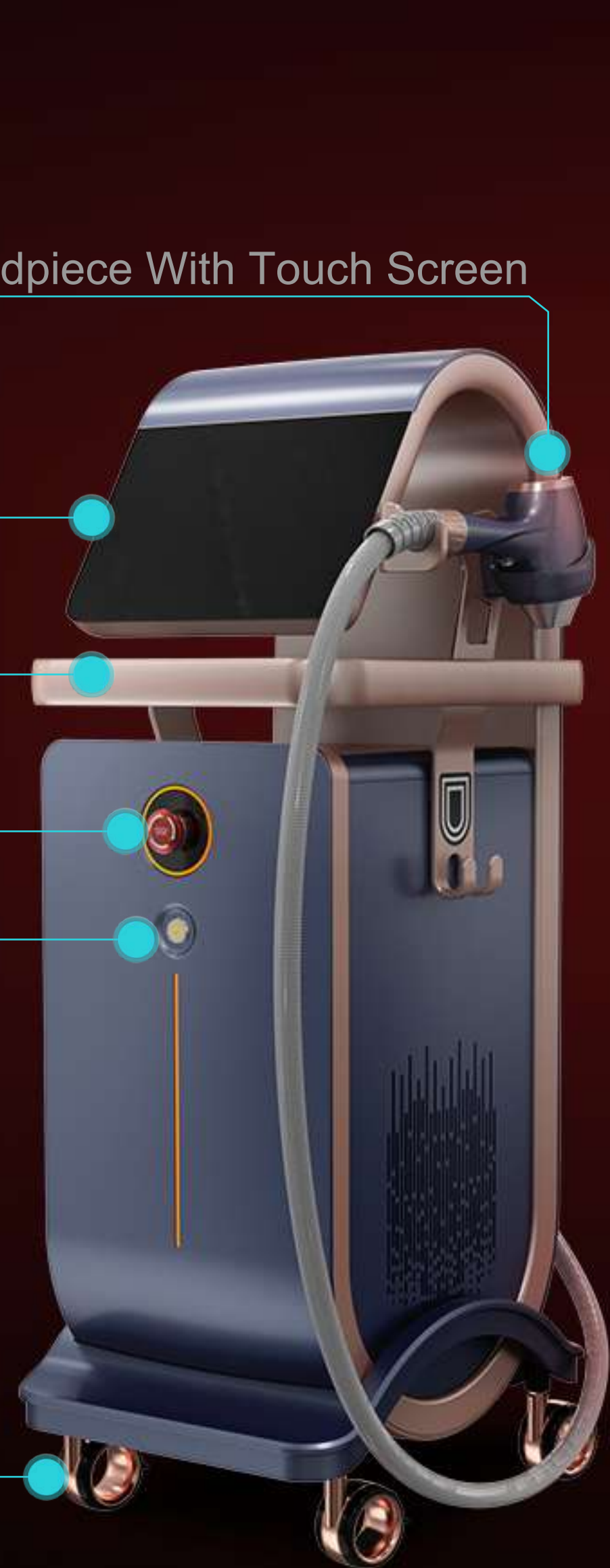
12inch Big Screen

Holder

Emergency Button

Switch Button

High-End Hollow Silent Wheel



Handpiece Connector

Air Switch

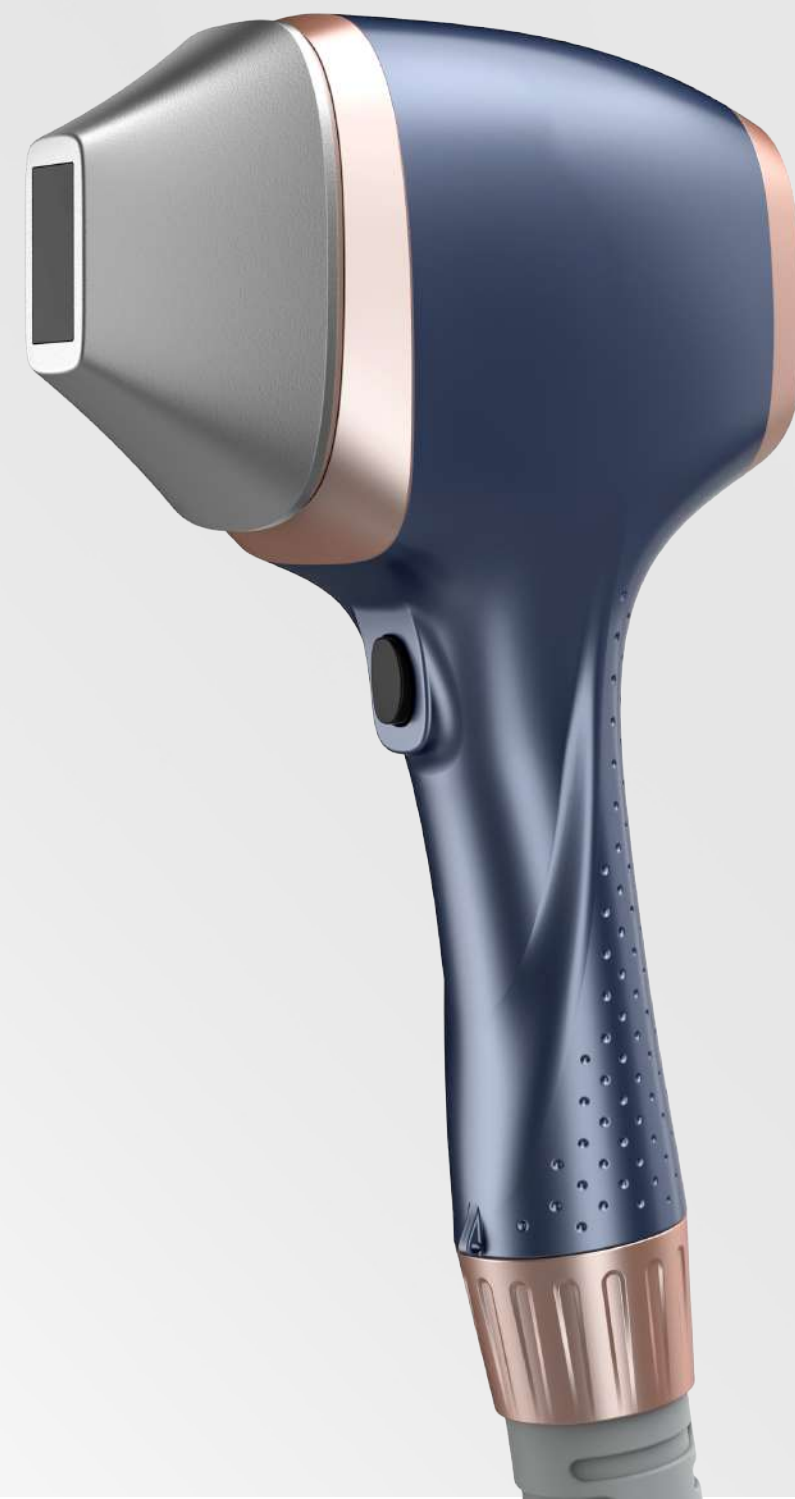
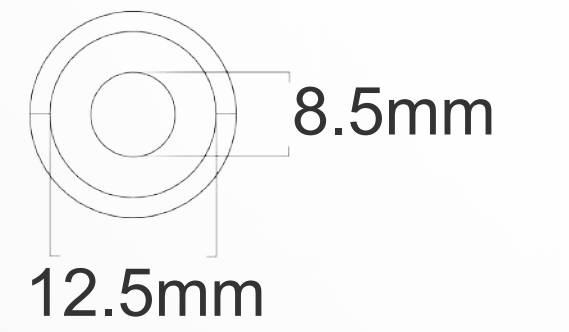
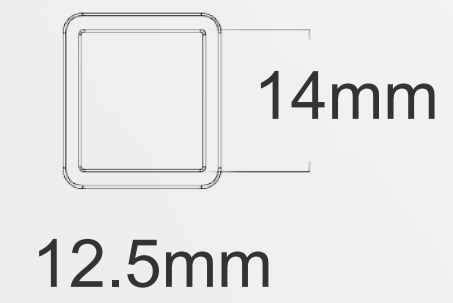
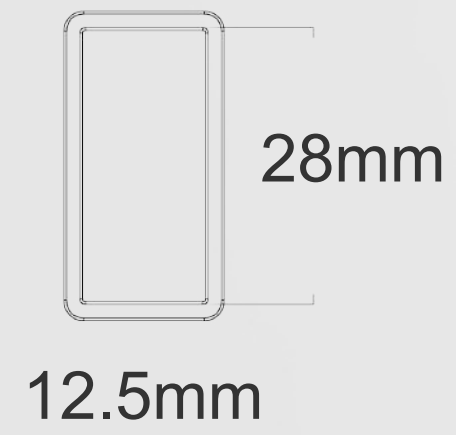
Water Output

Water Filter Box

Handle

Different spot sizes head working on one handle. More Choices for different body area.

4 Different Spot Size Heads:



Treatment Site

Face:
12.5*14mm or Round 8.5mm

Forehead:
12.5*14mm

Nose Hair: Round 8.5mm
Mustache: 12.5*14mm

Arm:
12.5*28mm

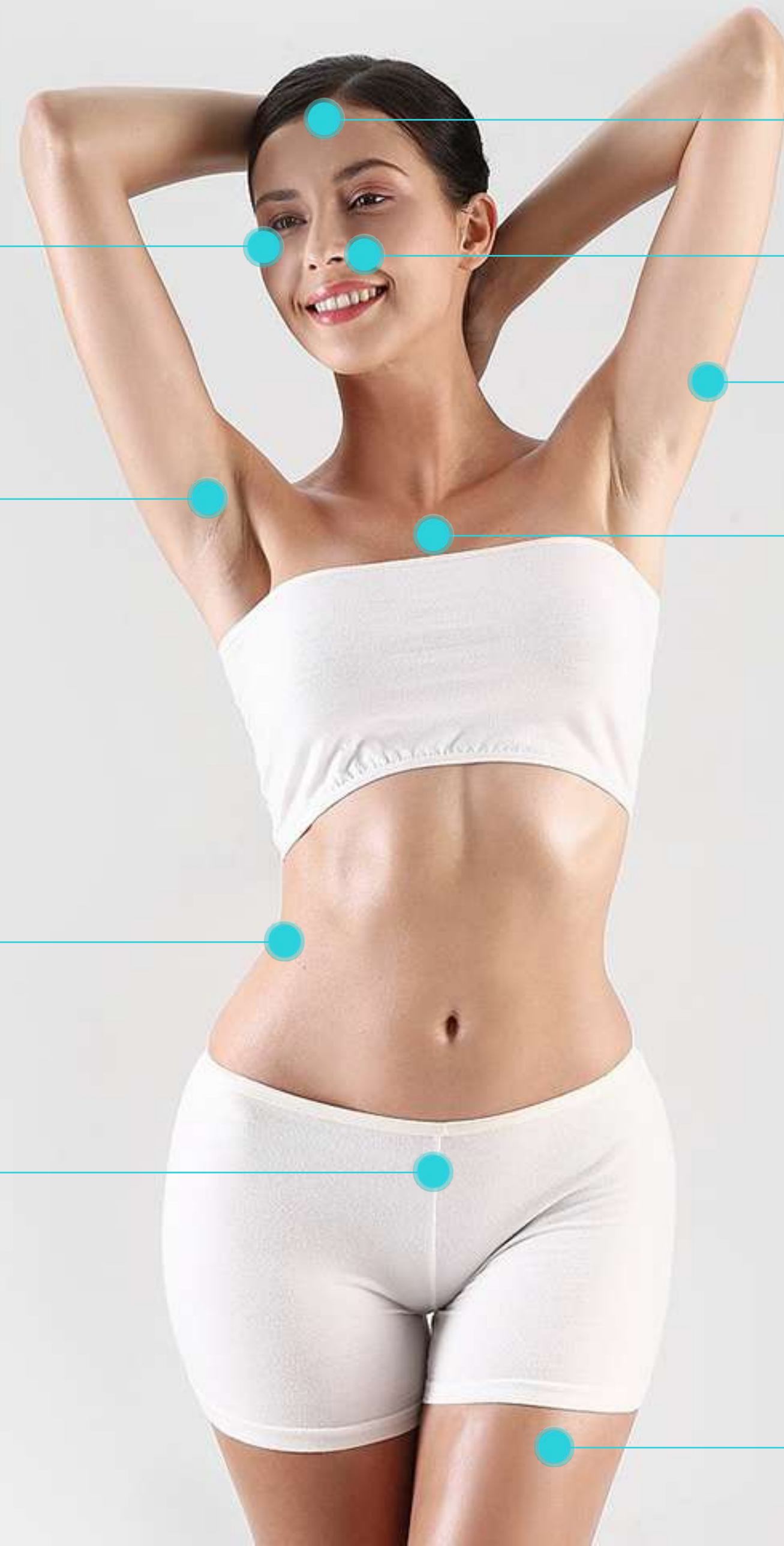
Armpit:
12.5*14mm

Chest:
12.5*38mm

Back:
12.5*38mm

Bikini Line:
12.5*14mm

Leg:
12.5*28mm



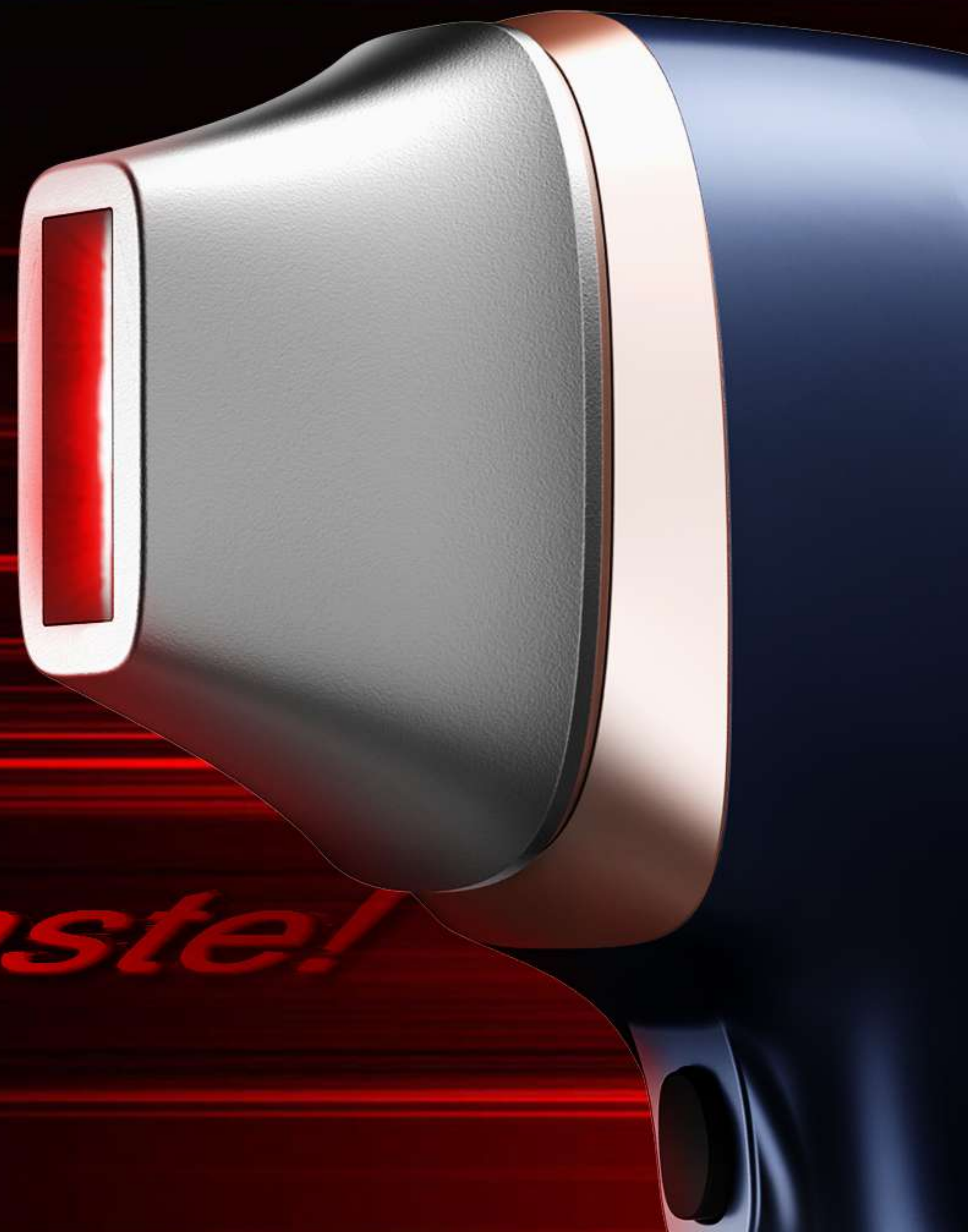
Large Spot

Super Large Spot Size:

4.8cm² 13.5*38.5mm

A unique and efficient new applicator with an especially large spot size of 4.8 cm². This breakthrough applicator makes treatments much faster and pain free, significantly cutting treatment times and ensuring a more comfortable experience for patients.

40% faster!



Nose Hair Head

**Super Small Facial Tip
(Nose Hair Head):**

Diameter 8.5mm

The unique Facial Tip allows treatment of hard to reach areas, including the ears, nostrils and glabella.



Handle Screen

LCD Handle Screen:

Control energy on the handle screen, easily to do treatment.



Magnetic Heads

Magnetic Heads, Strong And Safe.

The magnetic connection is strong enough to resist most unintended disconnects, making sure the treatment is safe and perfect going.



Water Proof

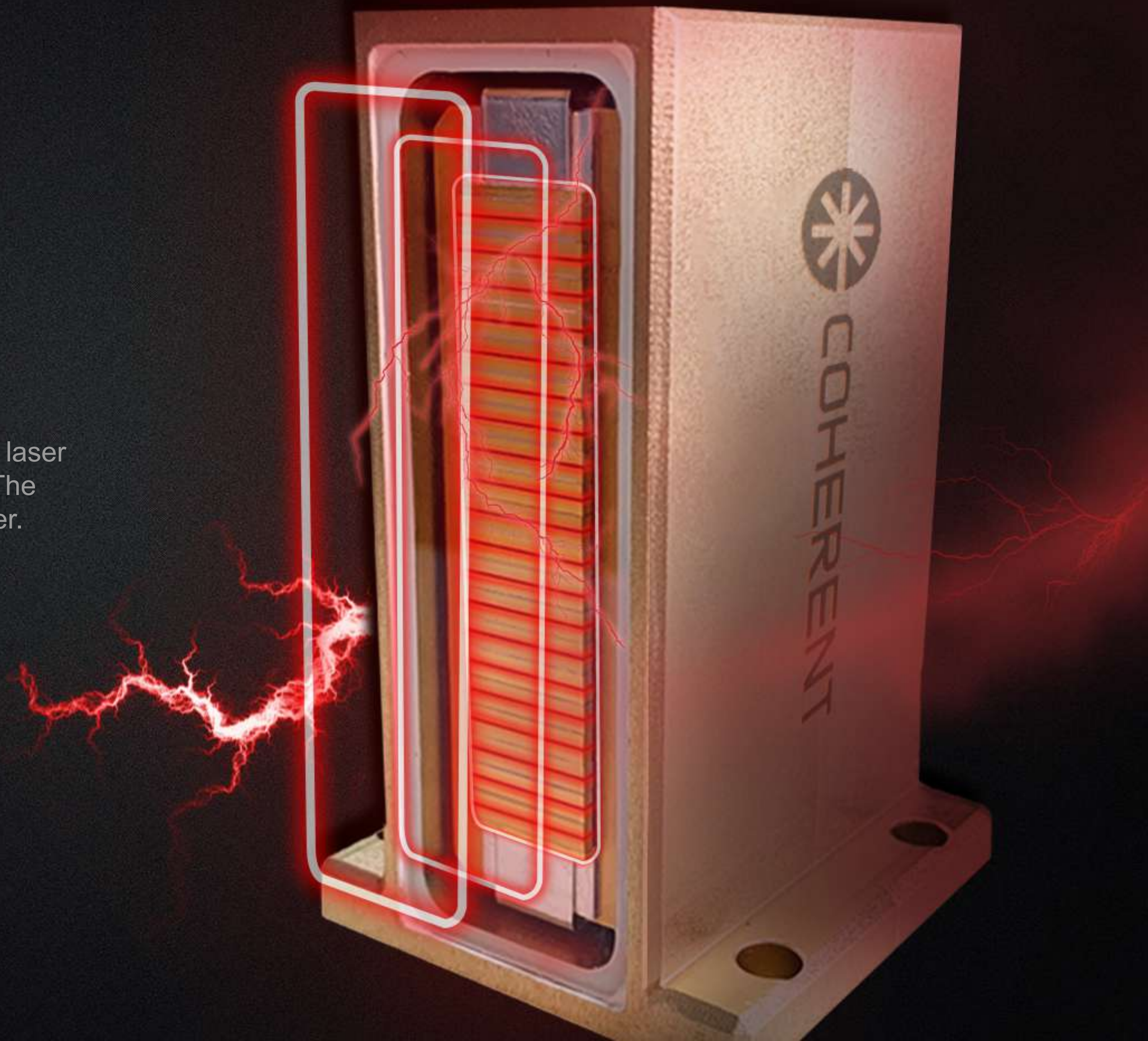
**Best water proof
Results**



Palladium Bar

American Coherent Laser Bars

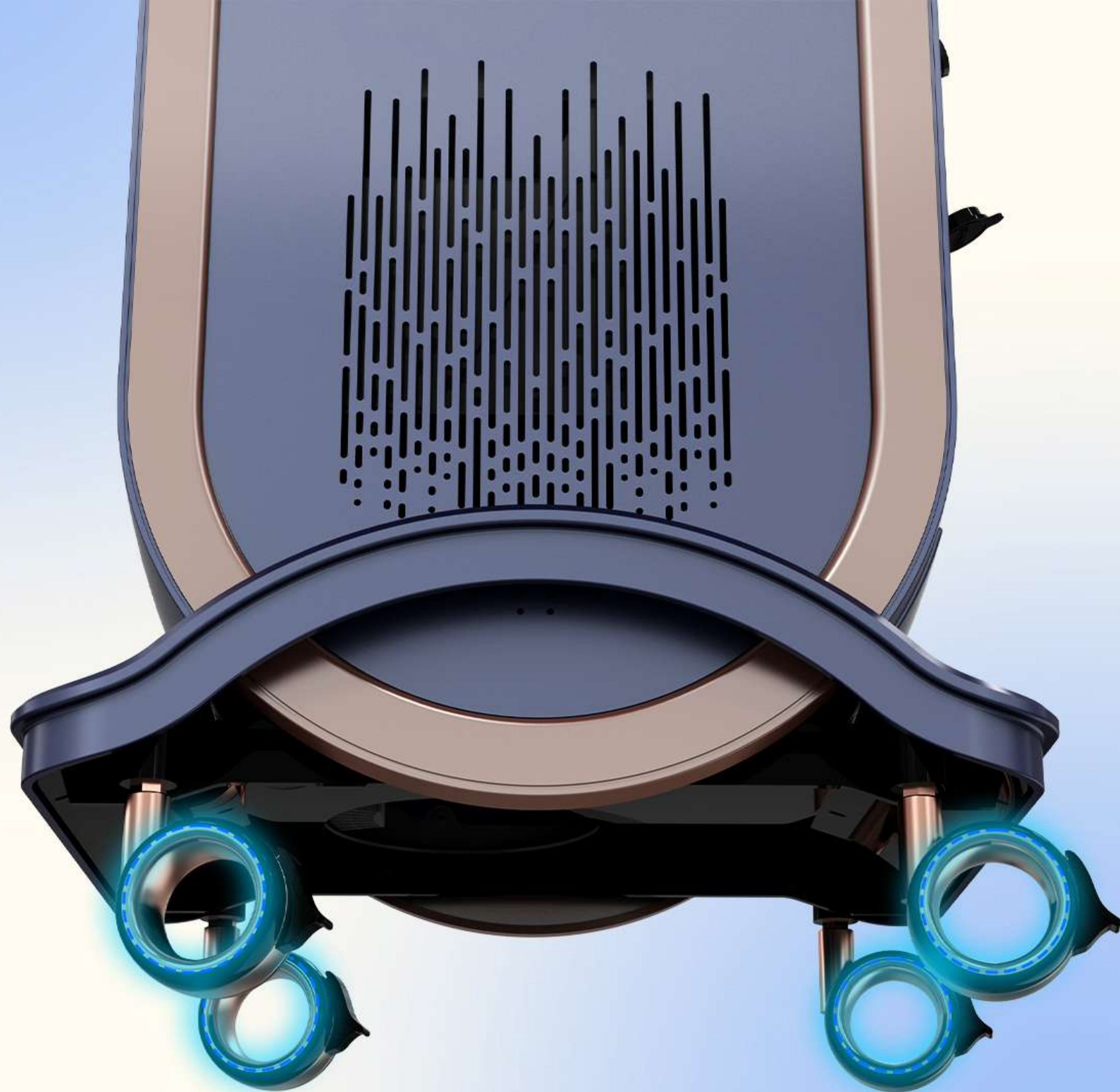
By coherent technology, the original bars are adopted in the laser generator to ensure that the output is stable and sufficient. The high quality bars guarantee a super long life span of the laser.



Silent Wheel

**High-End Hollow
Silent Wheel**

**Stable
Silent
High Level**



Low Noise

Say **“NO”** To Noise!

Silent working, make a more silent and convenient working environment for clients and operators.



Cooling Technology

Handpieces With 360° Contact Cooling Strong Cooling, Painless Treatment.

With strong TEC cooling technology, No pain during treatment, give patient a more comfortable treatment, and get a better treatment results.



Certificate

US FDA
EUROPE MEDICAL CE (TUV) APPROVED

The screenshot shows the FDA's 510(k) Premarket Notification database. The page header includes the FDA logo and navigation links for various product categories. The main content area displays details for a specific device, including its classification, manufacturer information, and regulatory status.

FDA U.S. FOOD & DRUG ADMINISTRATION

Home | Food | Drugs | Medical Devices | Radiation-Emitting Products | Vaccines, Blood & Biologics | Animal & Veterinary | Cosmetics | Tobacco Products

510(k) Premarket Notification

510(k) | DeNovo | Registration & Listing | Adverse Events | Recalls | PMA | HDE | Classification | Standards
CFR Title 21 | Radiation-Emitting Products | X-Ray Assembler | Medsun Reports | CLIA | TPLC

Device Classification Name: Powered Laser Surgical Instrument
510(K) Number: K191970
Device Name: Diode Laser Hair Removal System
Applicant: Beijing Sano Laser S&T Development Co., Ltd
Room 7-201, No.1, Caoda 3rd Street, Nancal Town, Shunyi District
Beijing, CN
Applicant Contact: Hongbo Zhang
Correspondent: Microkn Business Consulting (Shanghai)Co., Ltd
Room 1318, Block A, No 3698, Gonghexin Road, Jingan District
Shanghai, CN 200435
Correspondent Contact: Huifang Zhao
Regulation Number: 878.4812
Classification Product Code: 3FX
Date Received: 07/24/2019
Decision Date: 04/06/2020
Decision: Substantially Equivalent (SESE)
Regulation Medical Specialty: General & Plastic Surgery
510k Review Panel: General & Plastic Surgery
Type: Traditional
Reviewed By Third Party: No
Combination Product: No

Specifications

Wave length:	808nm
Fluence:	10~80J/cm ²
Pulse width:	10-100ms
Spot size:	12.5*14mm 12.5*28mm 12.5*38mm Round 8.5mm
Frequency:	1~10Hz
Handle power:	3000W
Machine power:	4500W



Before & After



Before >>> After



Before >>> After



Before >>> After



Before >>> After





Head Office: Office 509, Churchill Executive Tower, Al Amal St., Business Bay, Dubai,UAE
Phone: +971 4 569 3474 **Mobile:** +971 50 912 4577 **Email:** info@skyline-med.com

