

## Working principle

A non-invasive cryotherapy device that uses a non-surgical treatment process called cryolipolysis, which targets fat cells and cools them to a temperature that triggers apoptosis, which the body can automatically metabolize over time. These apoptotic cells reduce the fat layer.

The whole machine is composed of 4 independent systems, each handle is an independent system

- Comparison of treatment effects

Up to 22%-25% fat cells reduction only after one treatment.



Before

After



Before

After



### Safety

Food extreme silica gel is used to completely wrap the metal, so that the metal does not directly lift the skin and completely avoid frostbite (the common type of ring change, the metal directly contacts the skin inside the cup, when the metal temperature is very low, first, the customer is uncomfortable, second is prone to frostbite)



### Validity

Adopt Japanese imported TEC refrigeration sheet for handle refrigeration, good quality, no loss in long-term use  
Strong suction, not easy to fall off during treatment



### Comfort

Power off and deflate work energy, slightly release suction, make customers more comfortable  
Massage function, accelerate blood circulation, avoid edema, and assist the fast metabolism of solidified fat cells



## Selling points of the whole machine

The whole machine is composed of [4] independent systems, each handle is an independent system

# 4 Handle

Work concurrently

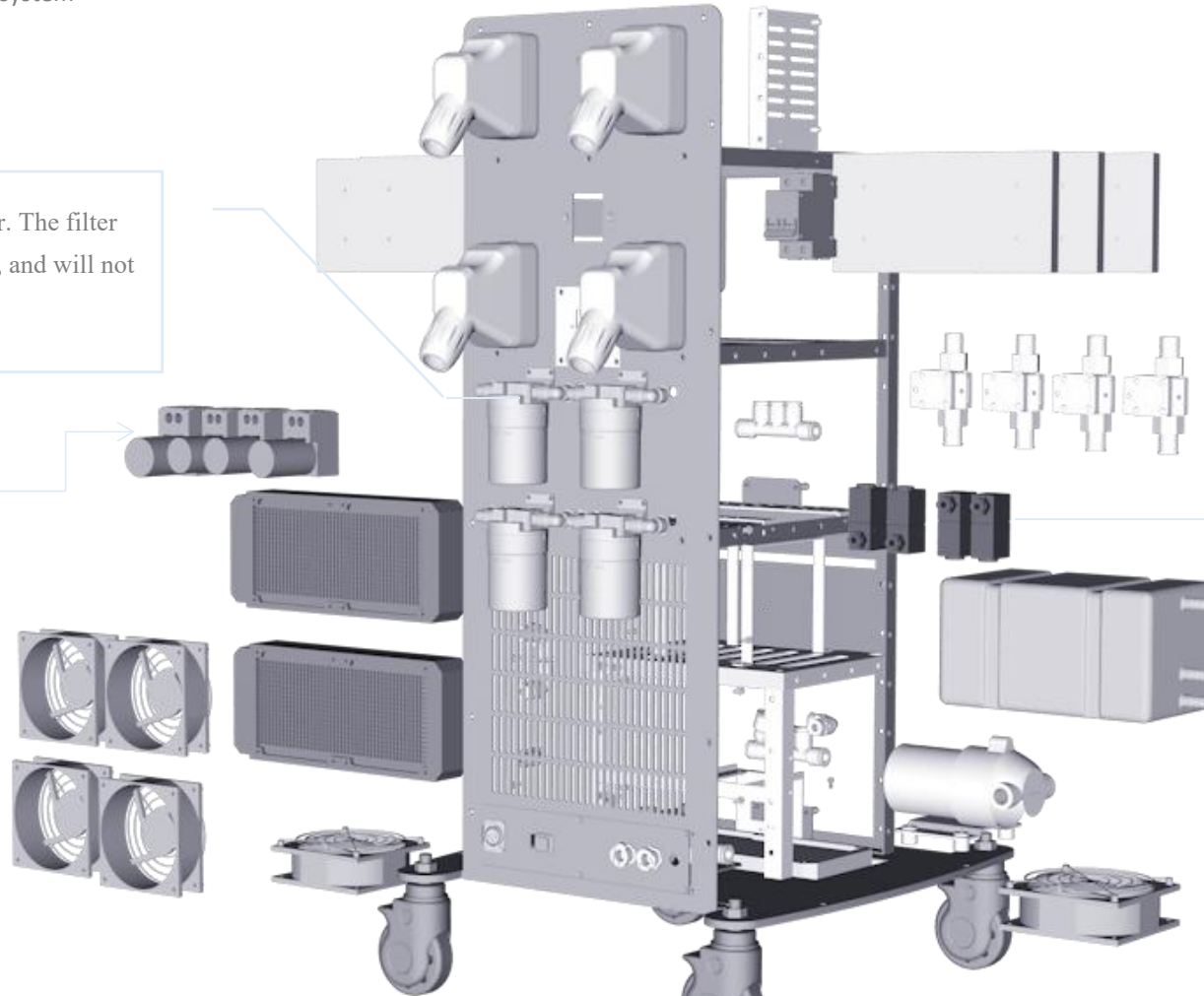
## 4 handles work at the same time

4 solenoid valves, each handle can achieve breakpoint deflation, easy operation, customer comfort (put a little when the suction is too large), and realize the handle massage function at the same time

4 strainer cups, one handle per strainer. The filter bowl is easy to disassemble and clean, and will not cause clogging

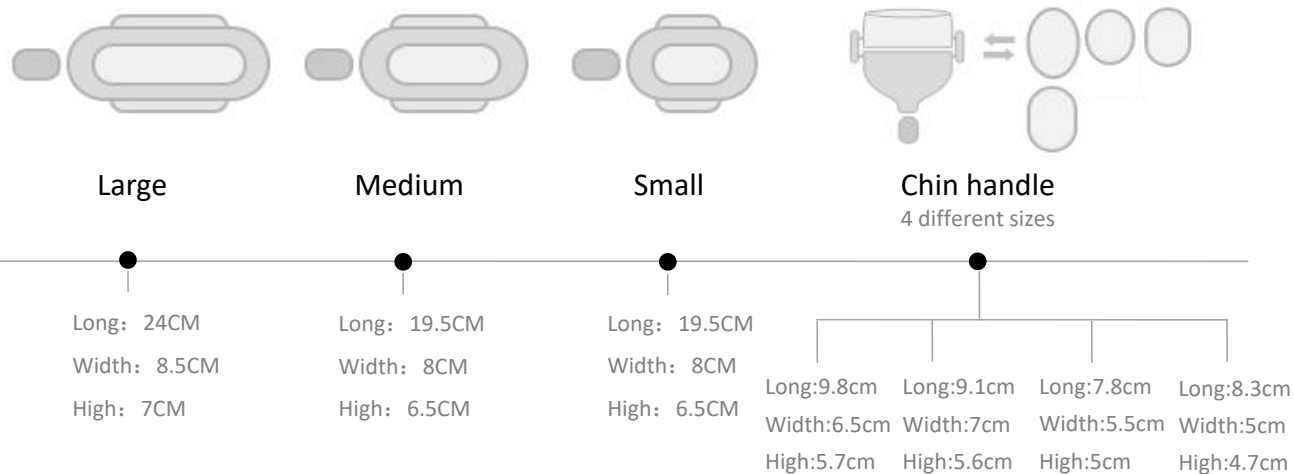
4 negative pressure pumps (air pump), each pump corresponds to a handle, the suction force is large, and the suction force of the handle can be adjusted separately

4 water flow and water temperature sensors, each sensor detects the water flow and water temperature of each handle in real time, and can be viewed at any time in the background of the software, plus 8 temperature sensors of the handle, a total of 12 sensors/monitors for detecting water temperature



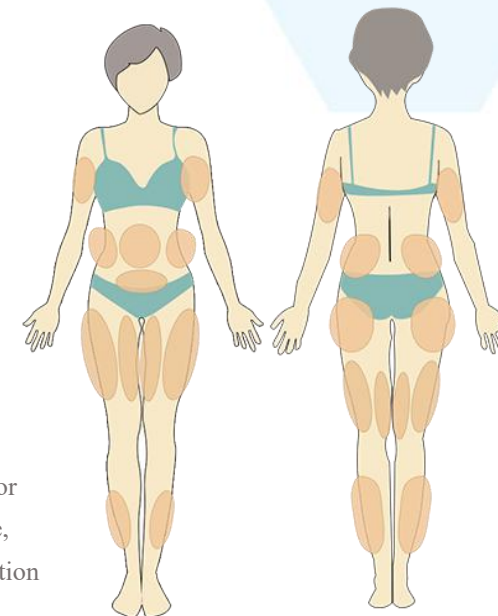
- 7 different handle sizes

Satisfy customers of any part of the body and different levels of obesity



## Applicable to multiple parts

The handle is made of food-grade silicone, which is highly fit to the skin, safe and comfortable



The handle has an operation panel, the operator can control the negative pressure, temperature, and breakpoint deflation, the breakpoint deflation design is very user-friendly here



Cryolipolysis has no recovery time; patients can resume their normal activities the same day. Patients will observe a visible decrease in fat bulges in two to four months.

- Chin handle

Four different specifications and sizes can be switched arbitrarily according to different customer needs

# Comfort

Chin handle with 4 size cup

Suitable for different fat thicknesses  
Buckle for easy replacement



Replacement buckle



- **Food grade silicone, soft and comfortable**  
The food-grade encapsulation process embedded in the 360-degree handle will not crack, it is softer, and it is more comfortable to stick to the skin



## Operating system

The handle is made of metal aluminum, which is the real 360 degree refrigeration in the market at present. The temperature is transmitted quickly and evenly on the metal to ensure the effect of the treatment area

Cryolipolysis Slimming Machine

Model: M3Pro



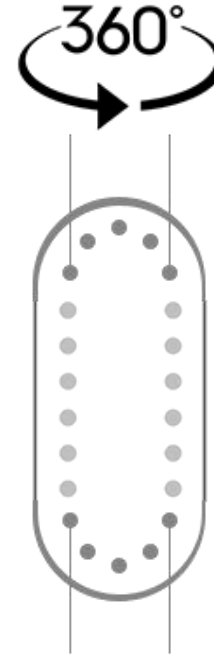
There is a temperature monitor on the left and right sides of each handle to detect the cooling temperature of the handle in real time, and the software background can see the current temperature at any time

### ● Uniform Cooling

The inside of the handle is made of aluminum alloy, and soft food-grade silicone is used to ensure comfort and maximize the treatment effect.



The new **generation** of weight loss technology



### ● Comfort

The handle is made of food silica gel, which has a high fit to the skin, safe and comfortable

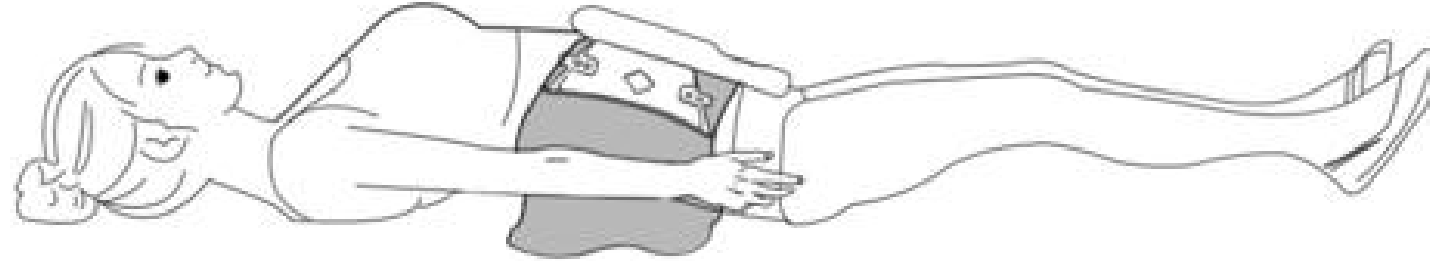


### ● Tec refrigeration sheet

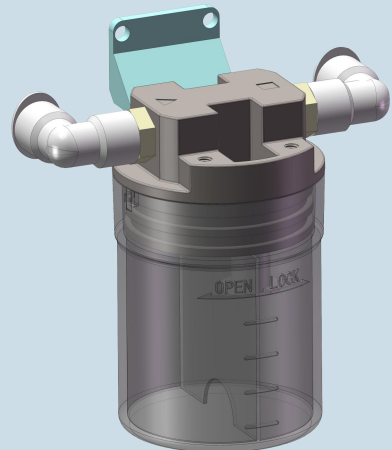
Tec refrigeration sheet imported from Japan is adopted, with good quality, uniform temperature and no loss for long-term use



Antifreeze films



## Cleaning and maintenance of filter cup 4 filter cups, one handle for each filter cup

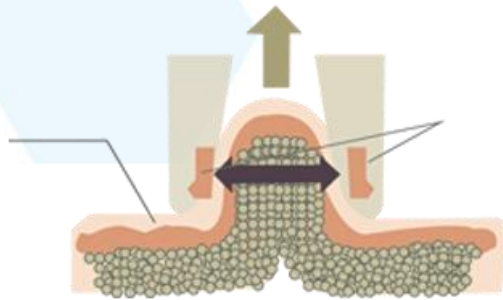


### Filter Cups

Large filter bowl is easy to disassemble and clean without clogging

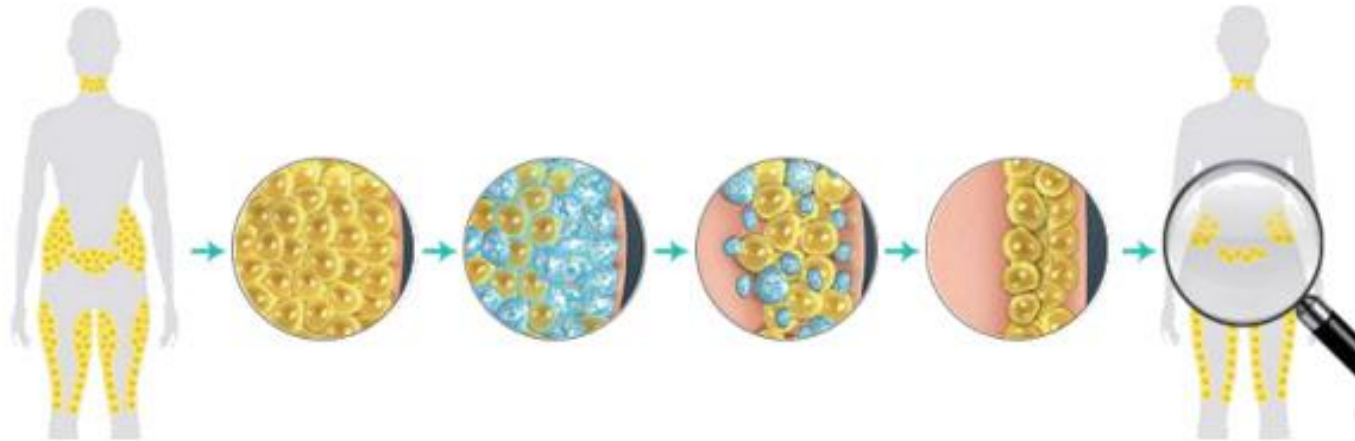


Instrument parameters	
Power	1600W
Show	10.4 inch color touch screen
Heat	37°C-45°C
Freezing	10° C to -10° C
Negative pressure	10 to 80kPa
Cooling method	water cooling
Power supply	AC 220V-240v~, 50/60Hz
Atmospheric pressure	860hPa~1060hPa



**Very Safe ,Non-operation ,Zero recovery period**

The patented technology of Harvard University, the freezing fat-dissolving and temperature-locking technology, makes the subcutaneous temperature reach  $-8^{\circ}\text{C} \sim 5^{\circ}\text{C}$ , and the fat cells will age in advance and die one after another.



Many of us have bulges of stubborn fat

Those unwanted bulges contain fat cells, which can be resistant to diet and exercise but not to Cryolipolysis

Cryolipolysis uses controlled cooling to target and crystallize fat cells

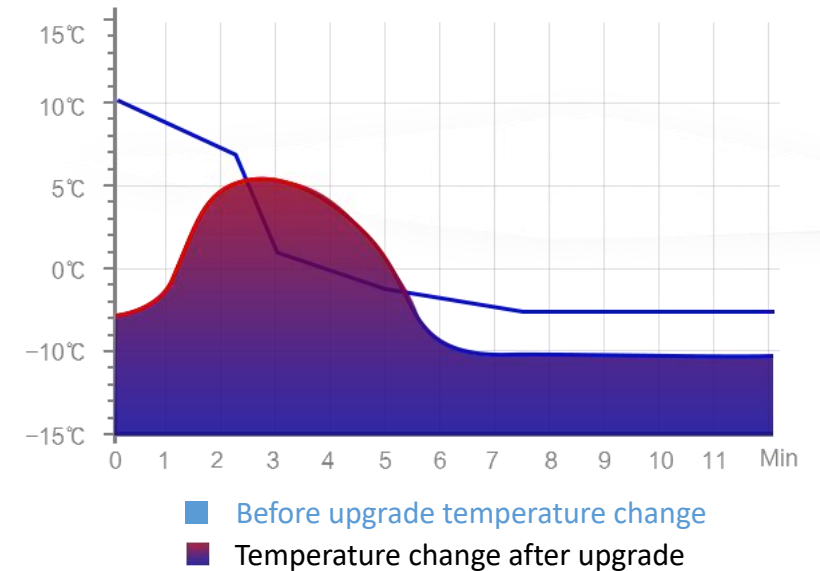
Crystallized fat cells gradually die off, then are naturally eliminated from your body

In the weeks and months following treatment, remaining fat cells condense, reducing the fat layer

In the weeks and months following treatment, remaining fat cells condense, reducing the fat layer

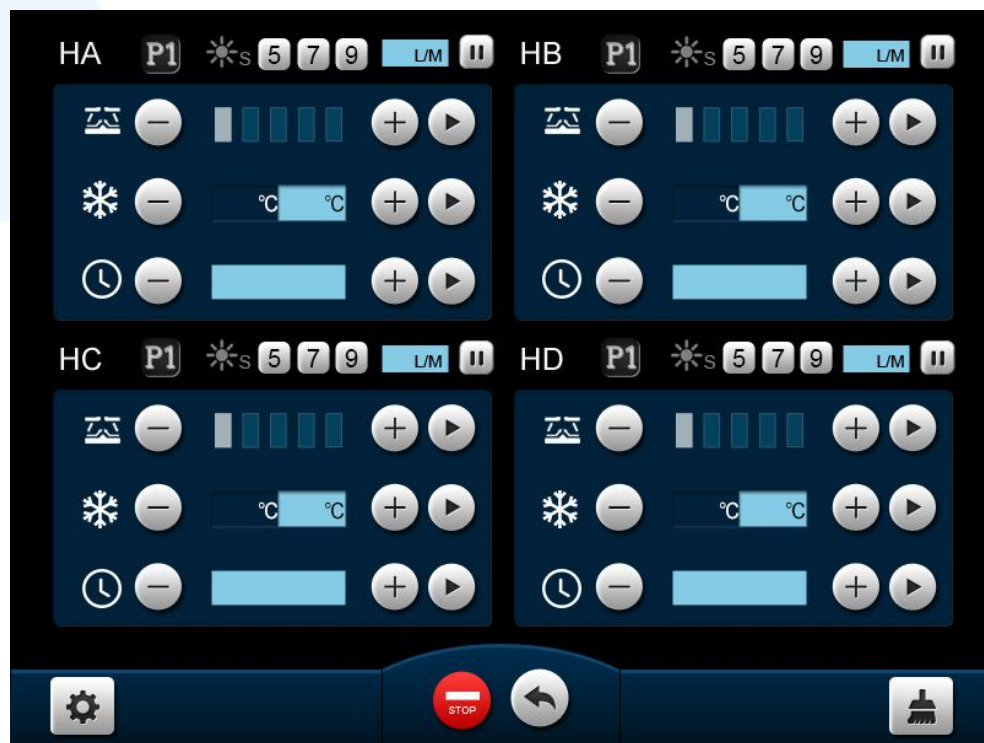
**Heating first, cooling later**

Advantages after the upgrade: Improve customer comfort and significantly improve the treatment effect

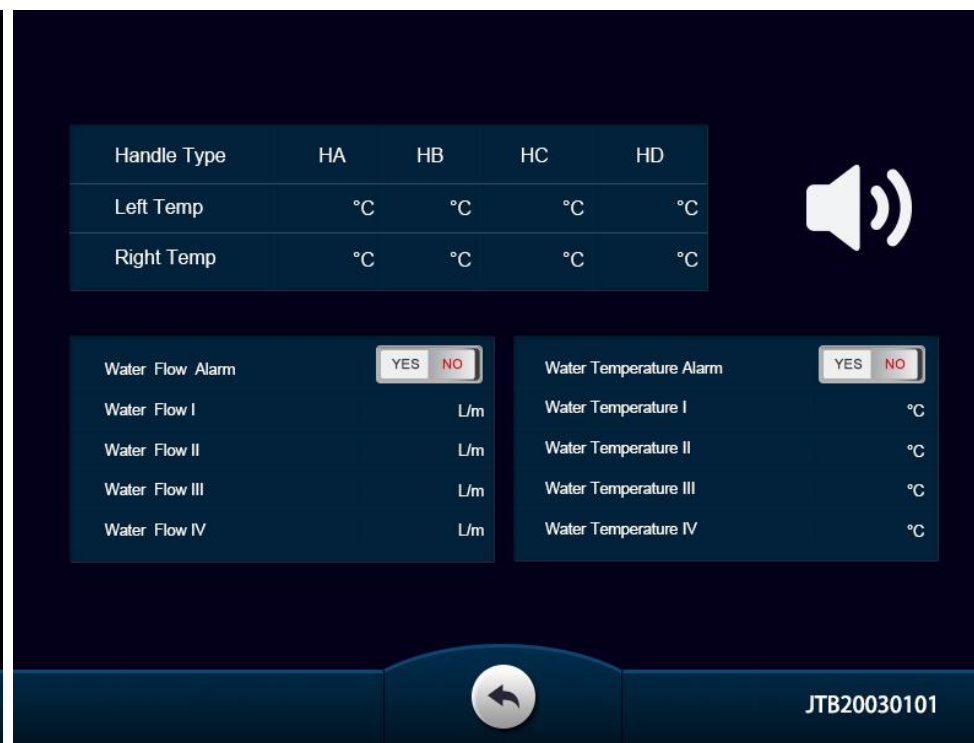


**Very Safe ,Non-operation ,Zero recovery period**

1. Solving local stubborn fat accumulation
2. Use of negative pressure and continuous monitoring of low temperature, frozen fat tissue
3. After a treatment, the crystal fat tissue will be gradually died and metabolized
4. The remaining fat tissue is rearranged
5. The fat thickness is reduced. The body curve is more obvious.



Operation interface



Backend system

## Operating system

Suction, temperature, time adjustment.

Adjust temperature and actual body part temperature, real-time detection, Adjust temperature and actual body part temperature, real-time detection

## Background rental function

The background can set the rental time and change the password



# Thanks!

## CONTACT US

UNITED ARAB EMIRATES SKYLINE TECHNOLOGIES CO., LTD

United Arab Emirates Skyline TECHNOLOGIES CO., LTD

Phone: +971 4 569 3474 Mobile: +971 50 912 4577

Email: [info@skyline-med.com](mailto:info@skyline-med.com)

