



Imaging System

Smart connection

Lifedent Digital intraoral X-Ray Imaging System



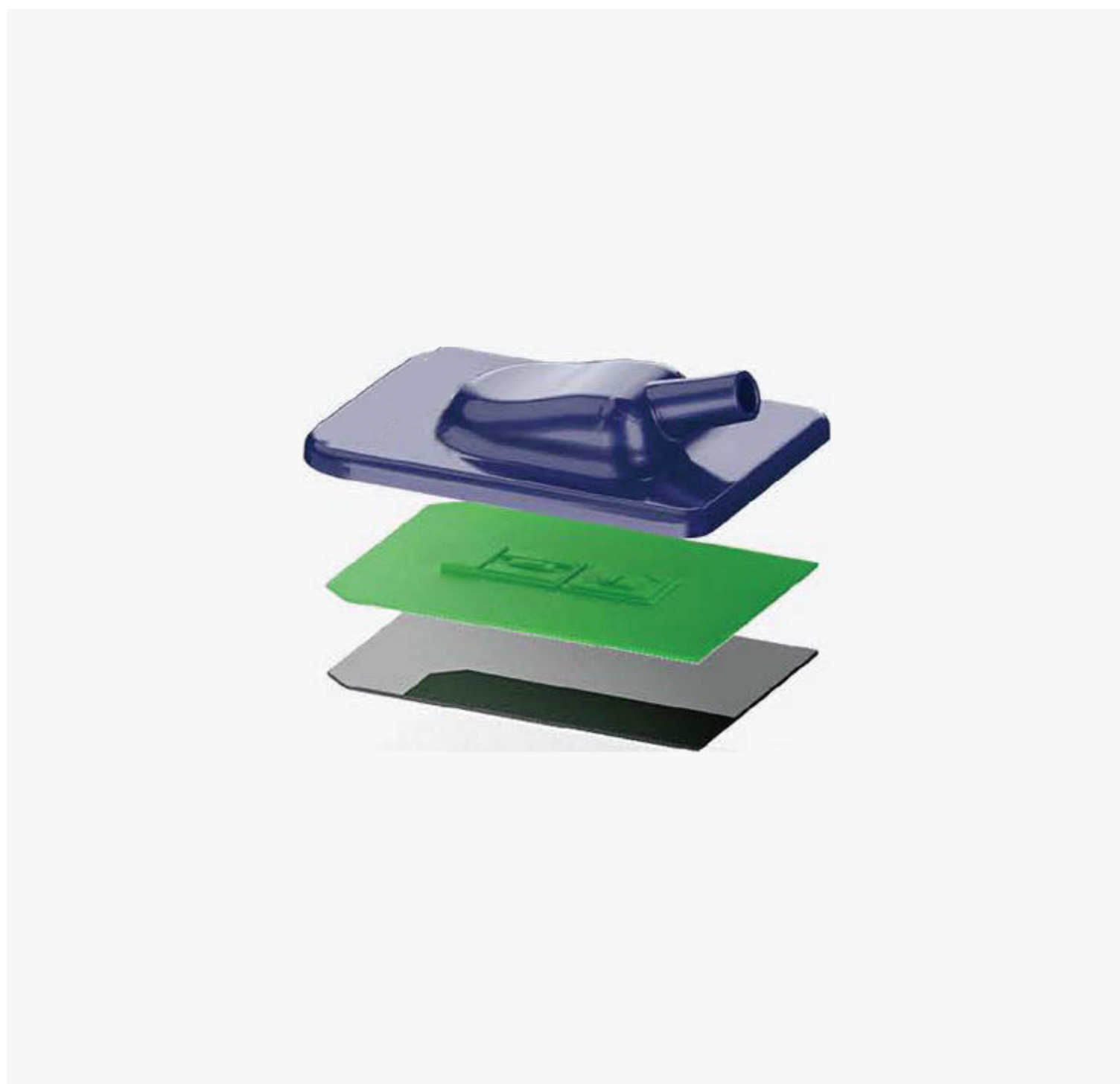


- APS CMOS Technology
- Smart AED-Compatible for variety X-Ray sources
- Direct deposition CSI - Lower dose imaging
- USB 2.0 direct connection
- Slim, rounded corner and thumb position
- IP68 - High reliability

Intraoral detector

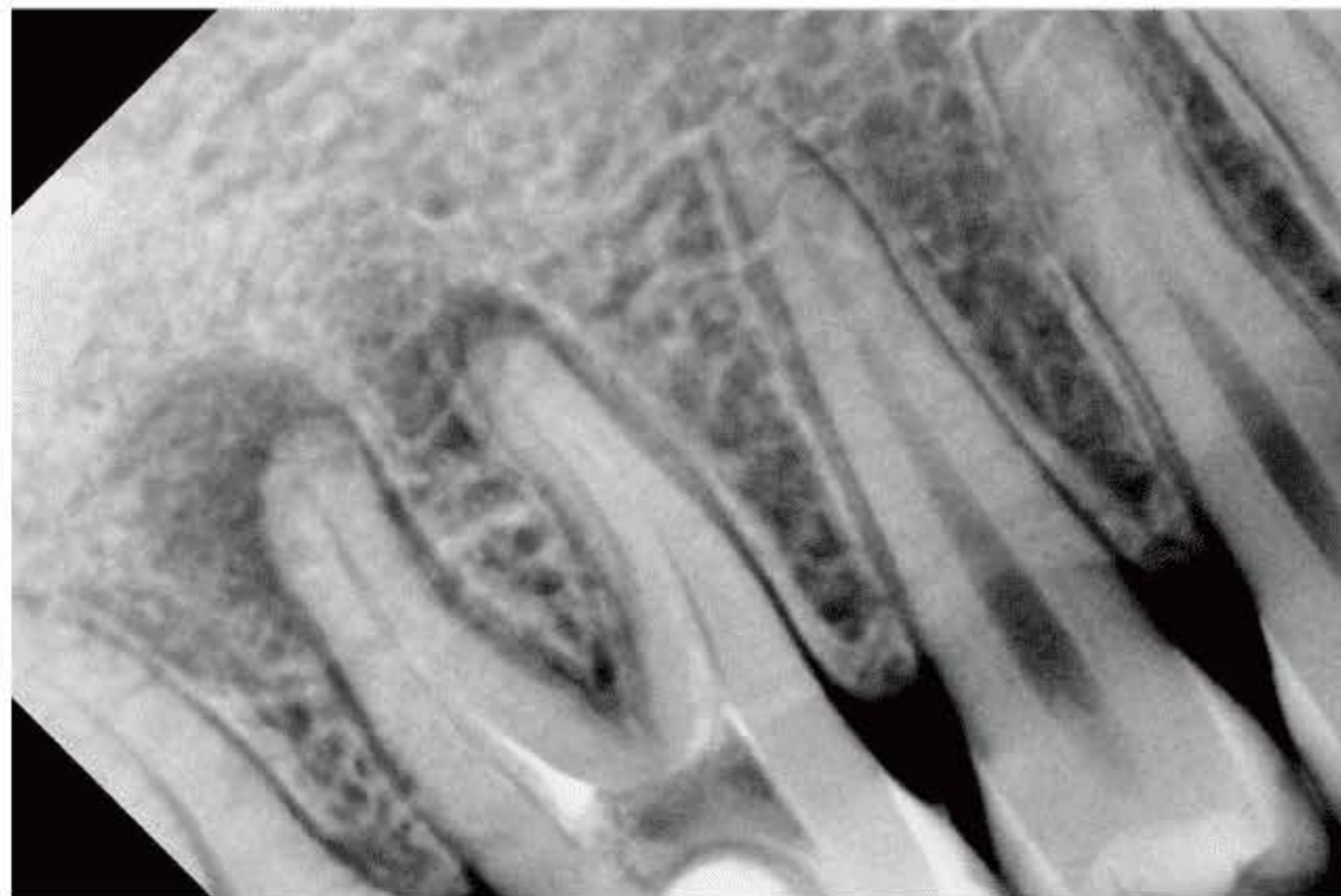
- ✓ 2 Sizes: universal / adult
- ✓ Comfortable: rounded corners and edges for improved patient experience
- ✓ Ultrathin: 4.4 mm digital sensor
- ✓ Durable: Reliable construction
- ✓ High Resolution (HR) or Low Dose (LD) scintillator option
- ✓ Efficient and affordable





- ✓ Integrated circuit, low noise, high integration design
- ✓ The cesium iodide scintillator adopts direct evaporation and plating of cesium iodide to improve image quality and ensure low dose
- ✓ Strong protective force, IP68 high level protection, ensuring no damage due to immersion, and can be disinfected and cleaned at ease
- ✓ High reliability design, reinforced cable connection has passed more than 70000 bending tests (+ 90 °)
- ✓ Seal the protective layer, protect the scintillator and prevent deliquescence
- ✓ The edge arc chamfer design ensures the safety of detection and improves the comfort of use

Real image



Parameters

Model	Pluto 0001X	Pluto 0002X
size (mm)	25.0 × 38.5 × 4.5	31.0 × 40.0 × 4.5
Effective imaging area(mm ²)	20 × 30	26 × 36
Pixel matrix	(1.5 M) 1000 × 1500	(2.34 M) 1300 × 1800
Detector type	APS CMOS	
Scintillator type	Direct growth cesium iodide	
Line length(m)	Standard 3m, Optional 5m	
Pixel size (μm)	20	
Spatial resolution (lp/mm)	25 lp/mm	
Gray scale	16-bit, level 65535	
Exposure mode	Intelligent AED mode	
Protection grade	IP68 for Soak disinfection	

Imaging System

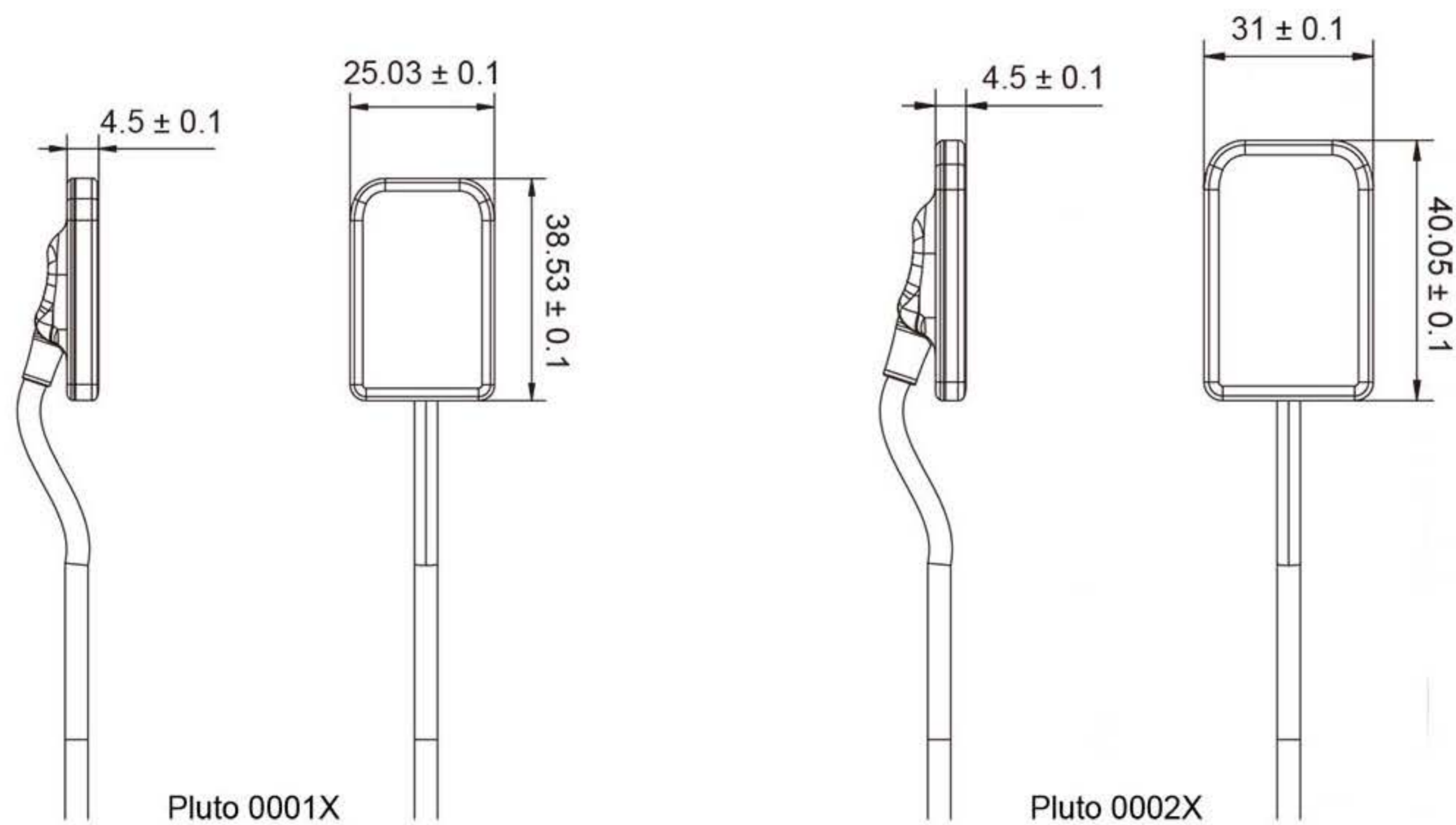
Piece function

Support TWAIN protocol

[Products](#) [Home](#)

Operating system

Windows 7 and above 32 / 64 bit





Head Office: Office 509, Churchill Executive Tower, Al Amal St., Business Bay, Dubai,UAE
Phone: +971 4 569 3474 **Mobile:** +971 50 912 4577 **Email:** admin@skyline-med.com

