



# VC Series

**Efficient separation  
Create an intelligent consulting  
room**

Lifedent VCSeries Dental Suction Unit





Efficient separation  
of wastewater



Two-stage air/water  
separation process,  
extra care for safety



Auto start-stop system:  
Reactive to the start &  
stop of dental units



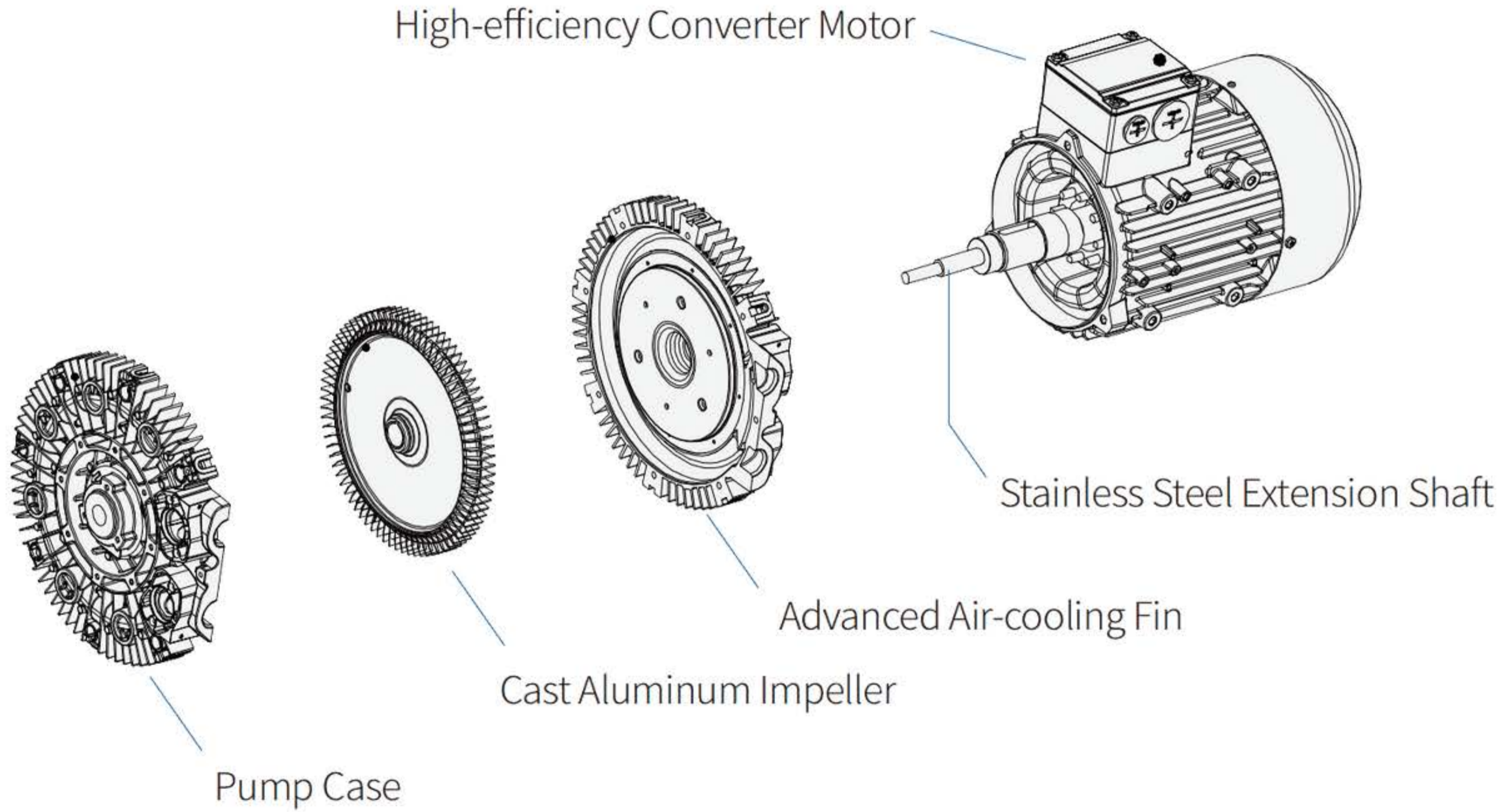
Detecting dental  
unit, automatic start  
and stop



Double motors for  
vacuum pump and  
drainage



Low noise level



Anti-corrosive and Insulative Engine

# Product Details



Mode	VC10	VC20	VC30	VC60+	VC80+
Applicable workplace	1	2	3-4	5-8	8-10
Input power	220v(1~)/50-60Hz	220v(1~)/50-60Hz	220v(1~)/50-60Hz	220v(1~)/50-60Hz	220v(1~)/50-60Hz
Rated power	500W	700W	1100W	1000W	2000W
Maximum current	3.5A	4.8A	7.3A	4.5A	6A
Negative pressure	-12	-13	-15	-25	-25
Max.Gas flow	300L/min	600L/min	1200L/min	1500L/min	2000L/min
Frequency conversion	NO	NO	NO	YES	YES
Noise	65dB(A)	65dB(A)	68dB(A)	68dB(A)	68dB(A)
Weight	22.5kg	23.5kg	28.5kg	43kg	47kg
Dimension	300*420*630mm	360*420*630mm	360*420*630mm	380*450*720mm	380*450*720mm



**Head Office:** Office 509, Churchill Executive Tower, Al Amal St., Business Bay, Dubai,UAE  
**Phone:** +971 4 569 3474 **Mobile:** +971 50 912 4577 **Email:** admin@skyline-med.com

