

V and VS suction systems for your practice.  
Proven systems newly defined



# V/VS suction systems – delivering optimum performance for your daily work

Today, the name DÜRR DENTAL stands for progress and innovation in dentistry – as it always has done for decades. As an innovation leader, the company sets standards with its developments and has the right product for every requirement.

In 1964, DÜRR DENTAL developed a suction system that allowed patients to be treated lying on their back for the first time. Back then this was a sensational development, now we take it for granted. But it's far from the end of our quest to continue to be the best in class, or rather to be the best in class time and time again. We are committed to improving the things that are already good or embarking on new paths when the time is right so that our clients can pursue new avenues. This philosophy has driven us to develop the tried-and-tested V and VS suction systems as the perfect suction solutions for a wide range of practice sizes.





To ensure that you stay safe and healthy, a minimum suction volume of 300 l/min is essential.

Without this kind of suction system, the cooling spray from fast-running and ultrasonic instruments can cause an aerosol cloud to spread throughout the entire treatment room. With a suction performance of around 300 l/min, DÜRR DENTAL V/VS suction systems efficiently reduce the risk of infection. It is really important that the spray mist is already extracted in the mouth of the patient so that no aerosol can form in the first place. After all, if it doesn't leave the mouth of the patient then there is no need to eliminate it afterwards. The right intraoral suction unit with a spray mist cannula therefore makes an important contribution to infection protection for the dentist, the practice team and the patient. An investment in a suction system from DÜRR DENTAL not only pays for itself in the day-to-day treatment of patients, but also in terms of lower operating and maintenance costs.



### Exhaust air virus-bacteria filter

It is possible that the exhaust air from the suction unit may be microbially contaminated. It is therefore recommended to direct the exhaust air from the suction unit outside the building via a virus bacteria filter. Thus you protect others by keeping the ambient air clean.

# Suction systems from DÜRR DENTAL – there's much more to them

Whether in terms of work processes or available space – every dental surgery is unique.

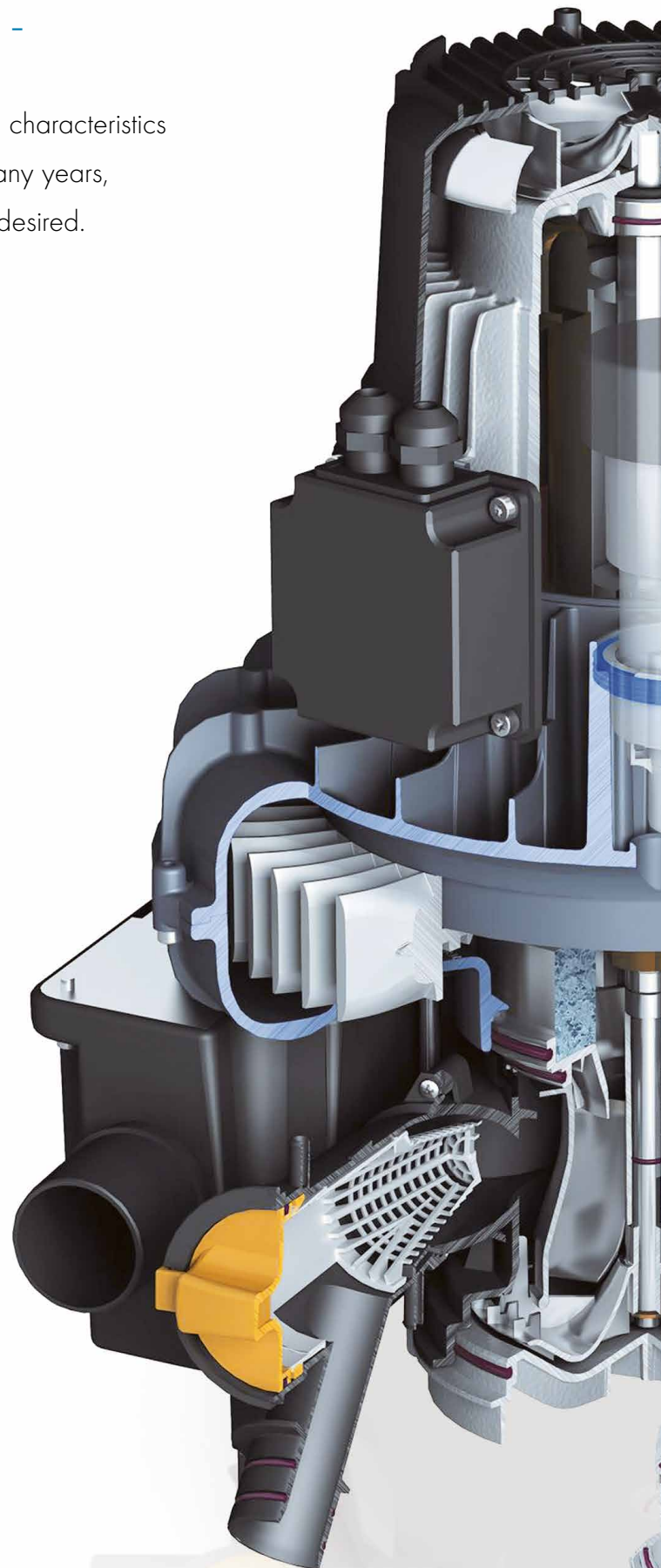
DÜRR DENTAL always takes into account these individual characteristics when developing its suction systems. Over a period of many years, this has yielded system solutions that leave nothing to be desired.

## Discover the difference

The practice program of suction units covers the needs of everything from one to six treatment rooms and allows up to four therapists to work at the same time (depending on the model variant). However, planning of the practice depends not only on performance demands and the number of rooms and therapists, but also on the architectural conditions of the practice, construction details of the building and the technical equipment installed. Suction systems from DÜRR DENTAL can be installed very flexibly and with no undue complications – in the basement, in an adjoining room or directly in the treatment room itself.

## Perfect cleaning and hygiene for the pipe system

Central installation in a multi-room practice places high demands on the cleaning and hygiene of the pipe network. With this in mind, DÜRR DENTAL has developed the 'tidal wave'. What this refers to is a so-called flow accelerator. It collects the waste water from the spittoon so that it can then be aspirated in flushes by the central suction unit. In this way, the suction system automatically eliminates the risk of deposits, odours and hygiene problems.





## Cost-effective and compact

In VS suction units, suction and separation are combined centrally on one drive shaft. This is cost-effective and saves space.

---

## Corrosion protection thanks to galvanic coating

The housing components and high-precision runners are made from coated aluminium or highly corrosion-resistant plastic.

---

## Smooth and quiet operation

The drive runs smoothly without vibrations and is highly reliable. The aerodynamic turbine wheels and the integrated noise reducer ensure quiet operation.

---

## Regulating and cooling

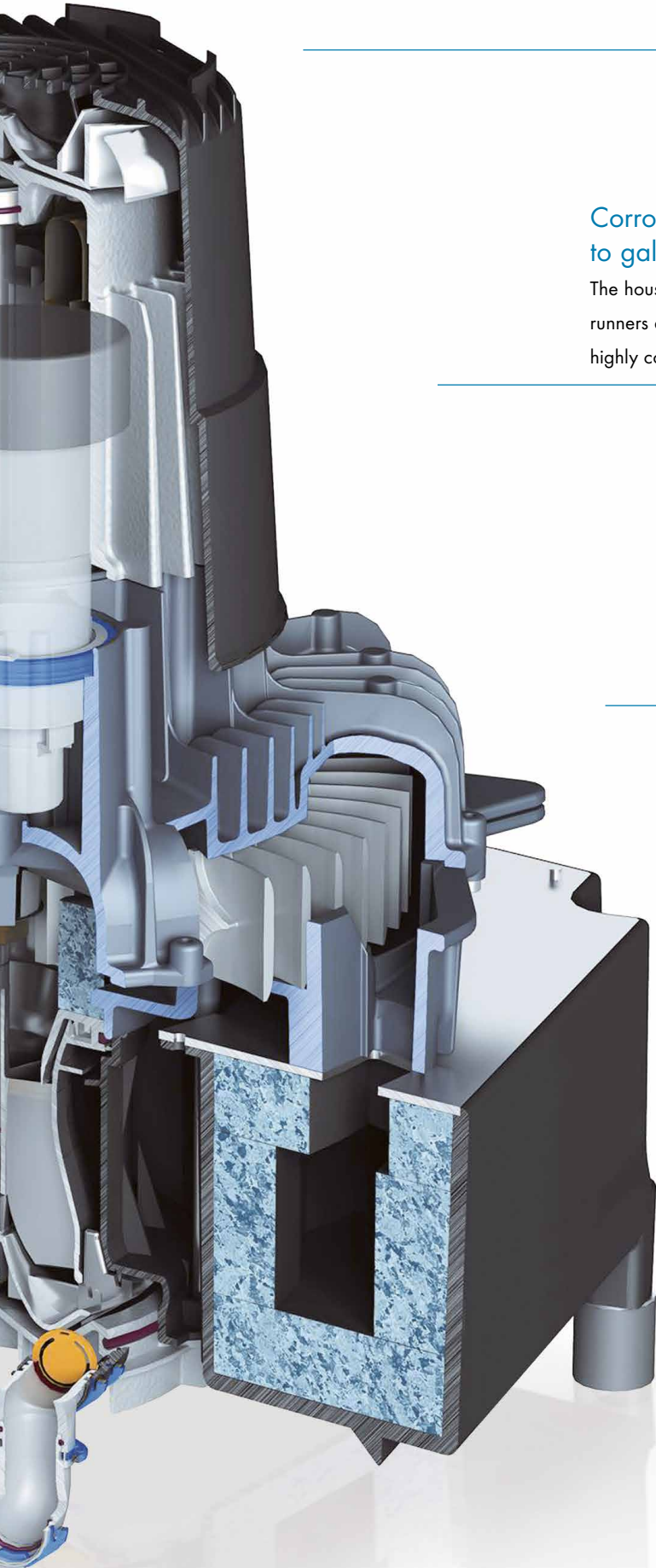
The integrated auxiliary air valve regulates the suction power and ensures that sufficient internal cooling is provided.

---

## Integrated humidity protection

All dry V suction units are fitted with a condensation separator to protect against condensed water.

---



# Impressive performance wet and dry

DÜRR DENTAL has the right suction solution for every practice.

When it comes to remodelling or modernizing a dental practice, the V and VS suction systems can be used even in difficult installation conditions.

## Wet VS suction systems. Powerful and cost-effective.

VS stands for the combination of vacuum generation and separation. All of the suction and separation tasks in the practice are centrally combined in a VS suction unit on a single drive shaft. As a result, there is no need for additional automatic separators on the various treatment units and the operating costs are lower than with traditional systems such as water ring pumps. DÜRR DENTAL VS suction systems can extract large quantities of liquids processed by up to four therapists at the same time without interruption. Thanks to the integrated two-stage separation system, the aspiration of secretions and blood foam into the turbine space is reliably prevented.



### This is what counts:

- Corrosion protection for housing parts and impellers
- High-quality, robust drive motors
- Reliable function in continuous operation
- Highly cost-effective with minimal space requirements
- High suction power within seconds
- Automatic removal of deposits

\*Also available as a dry variant



VS 300 S\*

Number of practice treatment chairs: 1-2  
Number of therapists working at the same time: 1



VS 600\*

Number of practice treatment chairs: 2-3  
Number of therapists working at the same time: 2



VS 900 S\*

Number of practice treatment chairs: 3-5  
Number of therapists working at the same time: 3



VS 1200 S\*

Number of practice treatment chairs: 4-6  
Number of therapists working at the same time: 4

## The dry V suction systems. Amazing power in a matter of seconds.

The dry suction systems from DÜRR DENTAL combine extremely powerful performance with exceptionally quiet operation. They transport the waste substances over a short distance into a separator or amalgam separator. These components are integrated into the treatment unit. Only dry air reaches the suction unit.

Seven to eight hours of continuous operation are a common occurrence. DÜRR DENTAL V suction units meet these challenges effortlessly. The contactless rotating turbine wheels generate the required vacuum and flow rate (suction power). A reliable electric motor enables non-stop operation. For reliable protection against condensation water, all models are equipped with a condensation separator as standard.



### This is what counts:

- High-quality, robust drive motors
- Reliable function in continuous operation
- High-quality condensation separator to protect the machine against extracted condensate
- Corrosion-resistant impellers
- High suction power within seconds



V 2400

Number of practice treatment chairs: Up to 14  
Number of therapists working at the same time: 8



An extensive range of accessories is available for every V suction unit. All models feature a condensation separator as standard.

# Special and mobile solutions

## VSA 300 S and Variosuc

### VSA 300 S – three components combined in a single unit

Looking at all the requirements placed on the suction system, a suction unit not only needs to separate the air/secretion/solids mixture, but must also separate out amalgam particles and collect them in a collecting container. This is the ideal solution – both in terms of cost and in terms of the environment. This sounds like a big system, and one with a corresponding price tag. But with its VSA technology, DÜRR DENTAL combines the suction unit, separation and amalgam separation components in a single assembly on one drive shaft and in the smallest possible space – in the VSA 300 S.

#### This is what counts:

- 3-in-1 technology – everything on a single drive shaft
- Cost-effective and environmentally friendly system
- Automatic fill level control
- Flexible installation options



### Variosuc – the mobile suction unit

Both the VS and VSA variants of the Variosuc impress users with their compact design, ease of operation and flexibility. This means that even under exceptional conditions, you can still trust in the high standards of a DÜRR DENTAL suction system. Once it has been plugged into the mains power outlet, the mobile device is immediately ready for use and can be deployed flexibly in your dental surgery.

#### This is what counts:

- Easy operation with maximum flexibility
- Simply connect it to the mains power outlet and the unit is ready for use straight away
- Impressive performance – both in the VS and VSA variants



## Keep your suction system in good shape!

Around half of all suction units suffer from restricted performance due to deposits and blockages. The reason is simple: although most units are disinfected, no additional cleaning is performed. This results in substances such as blood, secretions, tooth material, filling materials and prophylaxis powder forming a dense sludge. In turn, this leads to blockages (obstruction of the suction unit), which can lead to a drop in performance and – in the worst case – complete standstill of the surgery.



### The solution from DÜRR DENTAL: Orotol® plus and MD 555 cleaner

Orotol® plus and MD 555 cleaner work together to protect all the components of a suction unit (including the lines) against deposits, contamination and encrustation. If used regularly, they can prevent a reduction in performance and extend the life of your suction unit.

For more information please visit: [duerrdental.com/orotol](http://duerrdental.com/orotol)

#### DÜRR DENTAL recommends:

- For disinfection and cleaning: Orotol Plus and Orotol ultra
- For cleaning: MD 555 cleaner

Only these products have been tested by DÜRR DENTAL. When using prophylaxis powders, DÜRR DENTAL recommends the water-soluble Lunos Prophylaxis Powders in order to protect the DÜRR DENTAL suction systems.

# Technical data at a glance

VS suction units	VS 300 S	VSA 300	VS 600	VS 600	VS 900 S	VS 900 S	VS 1200 S
<b>Voltage (V)</b>	230 (1~)	230 (1~)	230 (1~)	400 (3~)	230 (1~)	400 (3~)	400 (3~)
<b>Frequency (Hz)</b>	50-60	50	50	50-60	50	50	50
<b>Electric power (kW)</b>	0.58-0.8 <sup>1</sup>	0.58	1.1	1-1.42 <sup>1</sup>	1.68	1.97	2.0
<b>Current consumption (A)</b>	2.9-3.7 <sup>1</sup>	2.9	5.0	1.8-4.0 <sup>1</sup>	7.4	6.3/3.6	3.8
<b>Vacuum mbar (hPa)</b>	180	180	170 (AAV) <sup>2</sup>	170 (AAV) <sup>2</sup>	170 (AAV) <sup>2</sup>	170 (AAV) <sup>2</sup>	170 (AAV) <sup>2</sup>
<b>Number of operators</b>	1	1	2	2	3	3	4
<b>Max. fluid flow rate (l/min)</b>	4	5	10	10	16	16	24
<b>Dimensions without housing (H x W x D cm)</b>	38 x 31 x 32	47 x 31 x 32	48 x 41 x 39	48 x 41 x 39	52 x 41 x 42	52 x 41 x 43	52 x 41 x 43
<b>With housing (H x W x D cm)</b>	51 x 36 x 36	51 x 36 x 36	55 x 49 x 53	55 x 49 x 53	55 x 49 x 53	55 x 49 x 53	55 x 49 x 53
<b>Weight without housing (kg)</b>	13	14	22	22	34	29	29
<b>Noise level<sup>3</sup> without housing [dB(A)]</b>	approx. 63-65 <sup>1</sup>	approx. 63	approx. 65	approx. 65-68 <sup>1</sup>	approx. 65	approx. 65	approx. 65
<b>With housing [dB(A)]</b>	approx. 51-54 <sup>1</sup>	approx. 51	approx. 57	approx. 57-60 <sup>1</sup>	approx. 58	approx. 61	approx. 61

<sup>1</sup> The range of values results from the mains frequency of 50-60 Hz. 2 AAV = Auxiliary air valve 3 Noise levels are influenced by the room in which the unit is installed. In a reverberant room (e.g. tiled walls) the noise level may be higher. 4 99.1% separation rate, measured with the ISO sample at a maximum water flow rate of 4 l/min.

Variosuc	VS 300 S	VSA 300
<b>Voltage (V)</b>	230 (1~)	230 (1~)
<b>Frequency (Hz)</b>	50	50
<b>Power (kW)</b>	0.58	0.58
<b>Current consumption (A)</b>	2.9	2.9
<b>Vacuum (mbar) at mean sea level</b>	180	180
<b>Number of operators</b>	1	1
<b>Max. fluid flow rate (l/min)</b>	4	4
<b>Dimensions (H x W x D cm)</b>	92 x 36 x 60	92 x 36 x 60
<b>Weight (kg)</b>	32	32
<b>Noise level<sup>1</sup> [dB(A)]</b>	approx. 54-56	approx. 54

<sup>1</sup> Noise levels are influenced by the room in which the unit is installed. In a reverberant room (e.g. tiled walls) the noise level may be higher. 2 99.1% separation rate, measured with the ISO sample at a maximum water flow rate of 4 l/min.

V suction units	V 300 S	V 600	V 600	V 900 S	V 900 S	V 1200 S	V 2400
<b>Voltage (V)</b>	230 (1~)	230 (1~)	400 (3~)	230 (1~)	400 (3~)	400 (3~)	400 (3~)
<b>Frequency (Hz)</b>	50-60	50	50-60	50	50	50	50
<b>Electric power (kW)</b>	0.58-0.8 <sup>1</sup>	1.10	1.00-1.42 <sup>1</sup>	1.68	1.97	2.0	2,9
<b>Current consumption (A)</b>	2.9-3.7 <sup>1</sup>	5.0	1.8-4.0 <sup>1</sup>	7.4	3.6	3.8	5.6
<b>Max. vacuum mbar (hPa)</b>	180	170 (AAV) <sup>2</sup>	170 (AAV) <sup>2</sup>	170 (AAV) <sup>2</sup>	170 (AAV) <sup>2</sup>	170 (AAV) <sup>2</sup>	170 (AAV) <sup>2</sup>
<b>Number of operators</b>	1	2	2	3	3	4	8
<b>Dimensions (H x W x D cm) without condensation separator</b>	38 x 31 x 32	48 x 41 x 39	48 x 41 x 39	52 x 41 x 43	52 x 41 x 43	52 x 41 x 43	-
<b>With condensation separator with housing</b>	43 x 38 x 43	57 x 62 x 41	57 x 62 x 41	57 x 62 x 42	57 x 62 x 42	57 x 62 x 42	115 x 90 x 48
<b>Weight without housing (kg)</b>	13	21	21	28	27	27	65
<b>Noise level<sup>3</sup> without housing [dB(A)]</b>	approx. 63-65 <sup>1</sup>	approx. 65	approx. 65-68 <sup>1</sup>	approx. 65	approx. 65	approx. 65	approx. 70
<b>With housing [dB(A)]</b>	approx. 51-54 <sup>1</sup>	approx. 57	Approx. 57-60 <sup>1</sup>	approx. 61	approx. 61	approx. 61	-

<sup>1</sup> The range of values results from the mains frequency of 50-60 Hz. 2 AAV = Auxiliary air valve 3 Noise levels are influenced by the room in which the unit is installed. In a reverberant room (e.g. tiled walls) the noise level may be higher.

## Accessories



Soundproofing for VSA 300 S



Soundproofing for V/VS 600-1200 S



Exhaust air virus-bacteria filter





**Head Office:** Office 509, Churchill Executive Tower, Al Amal St., Business Bay, Dubai,UAE

**Phone:** +971 4 569 3474 **Mobile:** +971 50 912 4577 **Email:** [admin@skyline-med.com](mailto:admin@skyline-med.com)