

KaVo Imaging

DENTAL
EX
CE
LLEN
CE

ProXam

KaVo Imaging –
The next generation
of dental excellence.

CONTENTS

04	Dental Excellence	
	KaVo 360	04
	Stronger together	06
	Interview	08
	KaVo Imaging Portfolio	12
14	Intraoral	
	KaVo ProXam iX	16
	KaVo ProXam iS	20
	KaVo ProXam iP	24
	KaVo ProXam iOS	28
34	Extraoral	
	KaVo ProXam 2D	36
	KaVo ProXam 3D 3DQ	40
	Ceph imaging Ceph options	48
50	Software	
	Romexis	52
60	Service	
	Service quality	62
	KaVo Maintenance	64
	Technical data	66
	Index	84

ONE PORTFOLIO – MANY POSSIBILITIES

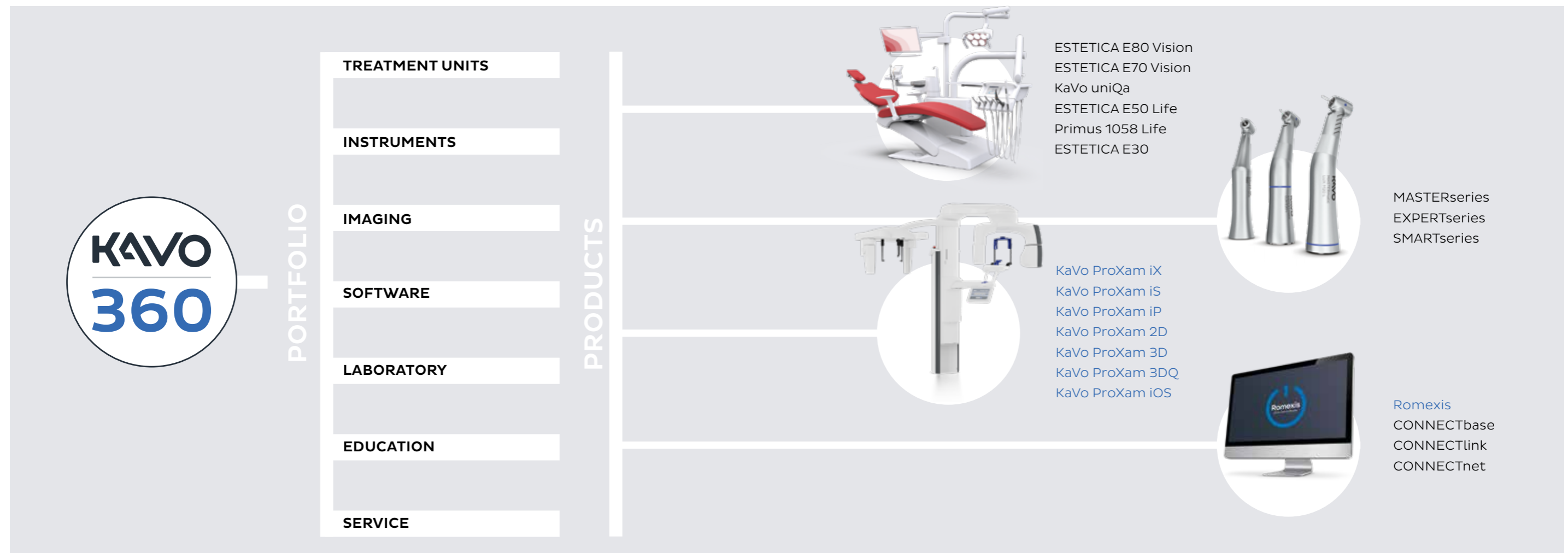
KaVo 360° – Proficiency and excellence for modern dentistry.

As a pioneer in the dental industry, KaVo has been setting the pace in dentistry for over 110 years. Today, KaVo's preclinical portfolio and its products, including dental instruments, treatment units and

laboratory equipment, offer comprehensive proof of excellence for practices and clinics all over the world. KaVo products set the standards in the dental market, promoting innovation, quality, ergonomics and design.

On its way to becoming a complete solution provider, KaVo is now supplementing its existing product range with high-quality imaging solutions – the new KaVo ProXam series. This includes premium extraoral imaging, intraoral X-ray and scanning products. The central and all-networked, all-in-one Romexis software completes the KaVo imaging portfolio. In combination with Romexis, the ProXam products offer a particularly

compelling solution for dental practices and clinics looking to prepare for a digitised future while prioritising quality, reliability and premium service. Opting for the KaVo ProXam diagnostics concept offers customers a secure digital future and premium quality.



STRONGER TOGETHER

Two partners, one common goal:
The future of dental imaging is now.

KaVo ProXam – the name says it all.

KaVo ProXam also stands for a common approach and the streamlining of skills from two successful dental companies. The new name combines the well-known "Pro" from the Planmeca imaging products with the tradition of KaVo Imaging "Xam" naming. In this way, the new name honours both the quality and intelligence of the Planmeca units and KaVo's successful history of imaging diagnostics. The capitalised "X" in the middle of the name stands for X-ray technology. These KaVo naming elements will continue to appear in the field of imaging diagnostics at KaVo in the future.

KAVO
Dental Excellence



PLANMECA

4,500
employees
= one
family

KaVo and Planmeca, two leading companies on the international dental market, are combining their expertise in the field of dental imaging. This pooled knowledge, years of experience and a passion for modern dentistry have resulted in a KaVo imaging portfolio that sets imaging diagnostic standards. Both existing and new technologies, reliable high-quality imaging and new connectivity options are KaVo and

Planmeca's common goals. Accordingly, the new KaVo ProXam series calls on Planmeca's know-how to complement the KaVo product range. As part of the KaVo Planmeca product family, the Romexis all-in-one software is of course compatible with the relevant imaging units and ensures that all components can be networked intelligently and easily. This is the future of digital diagnostics.



INTERVIEW

KaVo and Planmeca join forces for new workflows in dental imaging.

Following the merger of the two industry giants, KaVo and Planmeca, we are already seeing the first major expansion of the KaVo portfolio: with the new imaging product series KaVo ProXam, the company, based in Biberach, Germany, is wowing dental practices with its wealth of expertise, future-proof workflows and impressive features.



Heikki Kyöstiä, founder, owner and CEO of the Planmeca Group, gives interesting insights in a joint interview with...

Jan Moed, KaVo's new CCO with global responsibility for marketing and sales.



"Stronger together" is a strong statement. What does it mean to you personally?

Heikki:

Planmeca and KaVo are two incredibly strong brands with histories that have shaped dental care and technologies for several generations, and will continue to do so in future.

We are proud of what we have accomplished so far and are very confident that the new partnership between our companies will benefit our products and will take modern dentistry to a whole new level.

You have already taken the first step in this direction with the new KaVo imaging portfolio, ProXam. What exactly does this mean for KaVo?

Jan:

The KaVo brand stands for dental excellence in the global dental market. In other words, for high quality, reliability, ergonomics, world-class design and intelligent solutions in the field of instruments, treatment units and equipment for dental laboratories and universities.

This impressive portfolio is further enhanced by Planmeca's expertise and experience, especially in terms of digital workflows, giving KaVo the unique opportunity to integrate X-ray, scanning, software and CAD/CAM applications.

Together, KaVo and Planmeca offer tried and tested, high-quality solutions and will further develop our product ranges so that KaVo can become a complete solution provider in future.

Can you explain in a little more detail what makes the new KaVo imaging portfolio so special? What sets it apart from the older products?

Jan:

Above all, the new ProXam imaging product line from KaVo offers excellent image quality with a very low patient dose, versatile functions and even better ergonomics. In addition, the newly designed KaVo imaging portfolio paves the way for the popular, all-in-one imaging ecosystem Romexis for KaVo customers. By incorporating Romexis, workflows can be simplified many times over.

Can you describe this in more detail? What makes Romexis the gold standard of X-ray software?

Heikki:

With the all-in-one Romexis software platform, all systems or units can be linked together. This means all data can be collected, viewed and processed in one system, making collaboration faster and more flexible. There are also options for real-time monitoring.

During the development of Romexis, the key focus was on excellent user-friendliness and intuitive handling, as well as sufficient flexibility. To ensure it is always compatible and that the respective practice management software can be connected easily, the Romexis architecture has an open design and supports both the macOS and Windows operating systems.

This path towards networking and digitalisation will certainly play a decisive role in the future. But "traditional" service is also an important aspect in imaging – how has KaVo prepared itself for excellent service in this new area?

Jan:

KaVo is a renowned manufacturer with extensive experience in service, and is therefore well prepared for this task. For example, with treatment units, we have placed great emphasis on service quality for many years and are a strong and reliable partner for our specialist retailers. Also, our experience with X-rays has taught us what to look out for.

With this background, we are well prepared in-house for excellent service in the field of imaging: our training rooms have been equipped with the entire product portfolio. Both sales reps and technicians can be trained and certified at KaVo – from assembly and maintenance to instruction. All products and spare parts are stored at our German site and shipped from there as quickly as possible. Our points of contact are known KaVo professionals and the usual KaVo portals now also offer the latest information on imaging and software. "One point of contact", regardless of the product area, makes working with KaVo easy and guarantees outstanding, competent service quality according to our motto of "Dental Excellence".

What exactly happens when there is a problem with a unit? How do you support your customers then?

Jan:

First, we have kitted out our hotline's equipment room with the entire KaVo ProXam portfolio. This gives the KaVo support technicians the opportunity to simulate and analyse errors in real time, in order to provide a quick solution. Another solution is digital remote troubleshooting, which is done directly in the customer's network. Of course, there will also be dedicated imaging field service – four technicians will support the KaVo specialist retailers at the regional level, ensuring the fastest possible reaction times when needed. And last but not least, the most important products will also be available as rental units, to avoid restrictions and downtimes in practice or clinic operations. With this comprehensive package, we are sure that we can provide service that meets KaVo's high standards.

That sounds very convincing. Now on to another topic: which aspects are generally prioritised when developing imaging technologies?

Heikki:

During product development, we always strive for the optimal combination of four key factors: first-class image quality, a reduction in the number of new and repeat images, even less radiation exposure for patients – and all this with outstanding ergonomics.



Where do you see imaging in the future?

Jan:

Imaging will always be an important part of high-quality, patient-oriented dental treatment. As technology advances rapidly, I anticipate innovations that will support faster digital treatment planning and less invasive treatments, thereby helping our customers provide their patients with the best possible care. At the same time, aspects such as plug-and-play and the reliability of the systems used will continue to be important for the internal practice workflow. Overall, I doubt we've seen everything modern technology has to offer yet.

That sounds promising. What will this mean specifically for the future practice or clinic and for their patients?

Heikki:

Workflows in practices and clinics are becoming more and more integrated and therefore smoother and faster. Treatment planning is also being optimised and the treatment results are therefore not just better, but also more predictable. I think that in future, we will see a steady improvement in patient care and safety, which is naturally expected of us as a premium manufacturer. Together, KaVo and Planmeca are ideally positioned for this and look forward to more exciting projects and developments that will help to improve modern dentistry in many different ways.

KaVo ProXam

One portfolio - many possibilities.

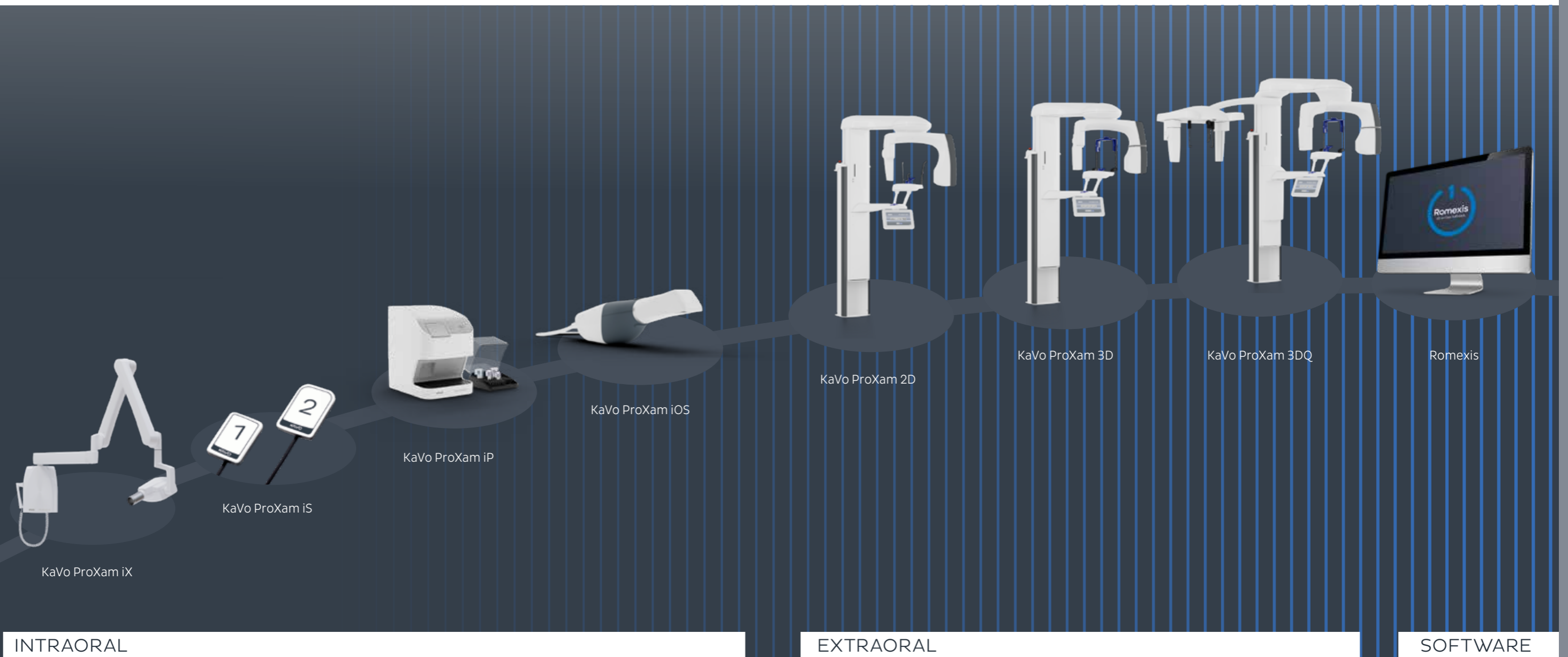


Find out more:
www.kavo.com/en/proxam

Choosing the KaVo ProXam concept means premium quality with proven, reliable technologies, whether in intraoral and extraoral imaging or in the field of intraoral scanning.

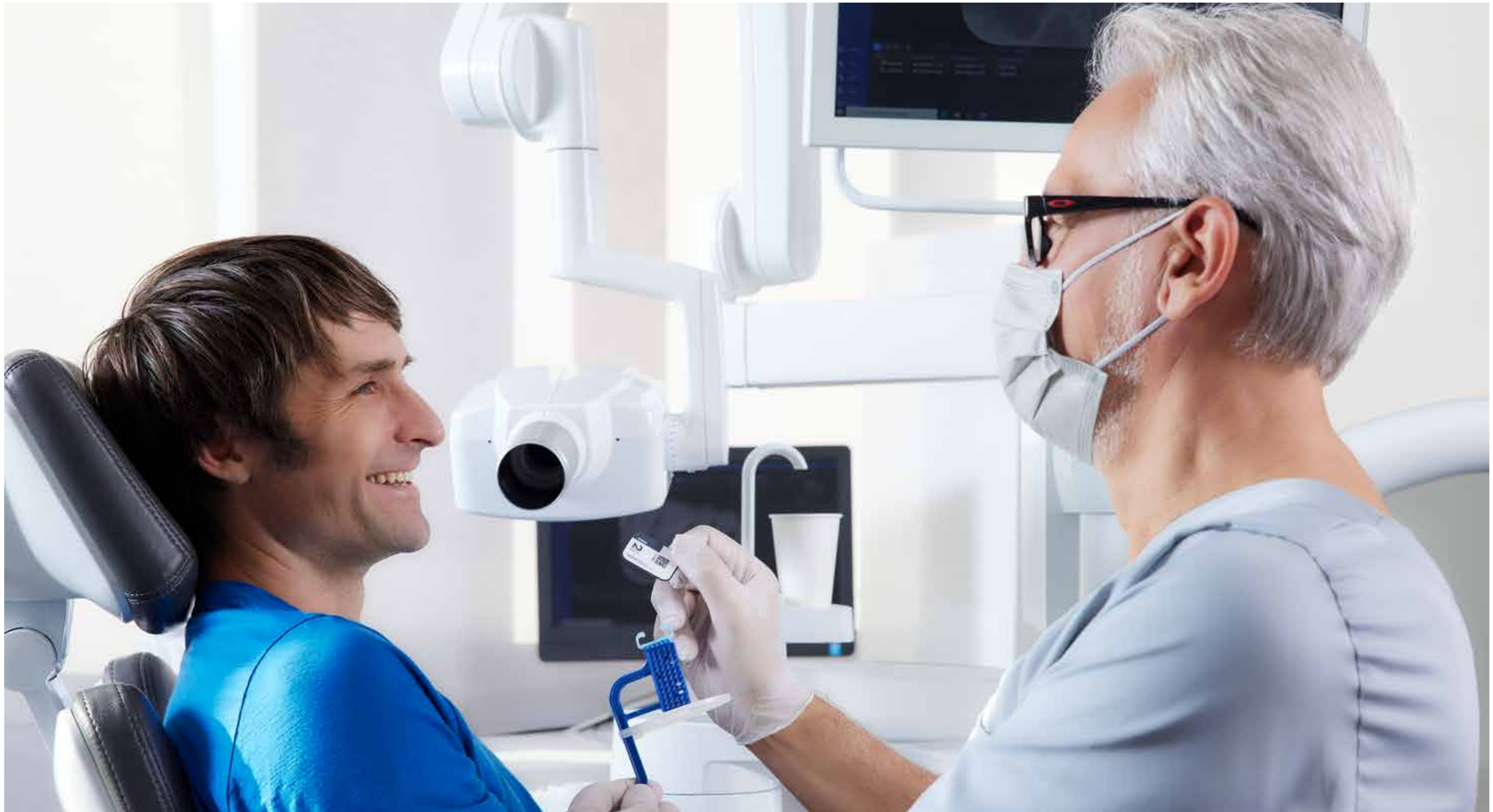
The KaVo ProXam all-in-one concept: **Highlights**

- Imaging units combined into one comprehensive software platform.
- A future-proof concept – a solution with excellent upgradeability.
- Reliability through proven technologies.





INTRAORAL



KaVo ProXam iX
Premium class intraoral X-ray.

The KaVo ProXam iX intraoral X-ray unit is a compelling way to achieve easy, precise positioning, a simplified imaging workflow and excellent, high-resolution 2D image results.

KaVo ProXam iX

Impressive quality across a wide range of diagnostic applications.

The small focal point (only 0.4 mm) of the ProXam iX offers the best conditions for incredibly sharp images and its variable exposure parameters ensure optimal contrast and suitable greyscale settings at all times. The extra-long cone creates an accurate image geometry and guarantees a distortion-free display of the image results.

Simple and user-friendly with versatile installation options.

Wherever the KaVo ProXam iX is used – the unit can be attached either directly to the treatment unit or to the wall.

With five different arm lengths and seven different tubes and collimators, the ProXam iX offers a variety of individual setting options and a wide range of uses.

Pre-programmed adult and child modes are available for the numerous areas of application:

- Periapical application
- Occlusal application
- Bitewing or endodontic images

Alternatively, all important exposure value parameters can be set separately:

- 60 – 70 kV
- 2 – 8 mA
- 0.01 – 2 seconds exposure time

Full digital integration with Romexis.

Full integration into the Romexis software platform is possible. In combination with the ProXam iS sensors or the KaVo ProXam iP imaging plate scanner and the optionally available connector box, the exposure parameters can be automatically transferred to Romexis and stored in the respective patient file. This eliminates the need to enter the data manually at a later time.



Find out more:
www.kavo.com/en/ix



As much as necessary, as little as possible – the optimal dose of radiation.

The KaVo ProXam iX works according to the ALADA principle, abbreviated to "as low as diagnostically acceptable". ALADA means that the emitted dose of radiation per X-ray is only as high as absolutely necessary to generate a diagnostically good image.

The required exposure values are automatically retrieved based on the unit's selected setting and the lowest possible radiation dose for the image is selected.

A rectangular cone can also be used to further reduce the radiation dose, which focuses the radiation on a smaller image area.



KaVo ProXam iS
A simplified workflow for
compelling image quality.

The digital, intraoral KaVo ProXam iS X-ray sensors have a lot to offer: in addition to reliable, high-quality image results, they score points with their small size and patient-friendly design. And in combination with the KaVo ProXam iX, the simple application makes them even easier to use.

KaVo ProXam iS

Impressive image quality.

Thanks to their large dynamic range, the KaVo ProXam iS sensors consistently deliver high-quality images, regardless of whether the radiation dose is high or low. The recordings are in HD quality and, thanks to the small pixel size of 15 µm and the high resolution of over 20 lp/mm, they offer the optimal combination of noise level and contrast for a detailed diagnosis.

Solid, reliable and durable.

The KaVo ProXam iS sensors are particularly robust, have high-quality workmanship and are also covered with a protective glass fibre layer. The sensor cable is reinforced and therefore ideally suited to continuous daily use.

Perfect results through careful construction of each individual layer:

White housing – easier positioning due to better visibility

Carbon fibre plate – protection from bites and other external impacts

Shock-absorbing layer – drop and impact protection

Scintillator – guarantees sharp images

Fibre optic board – high signal-to-noise ratio and high modulation transfer function

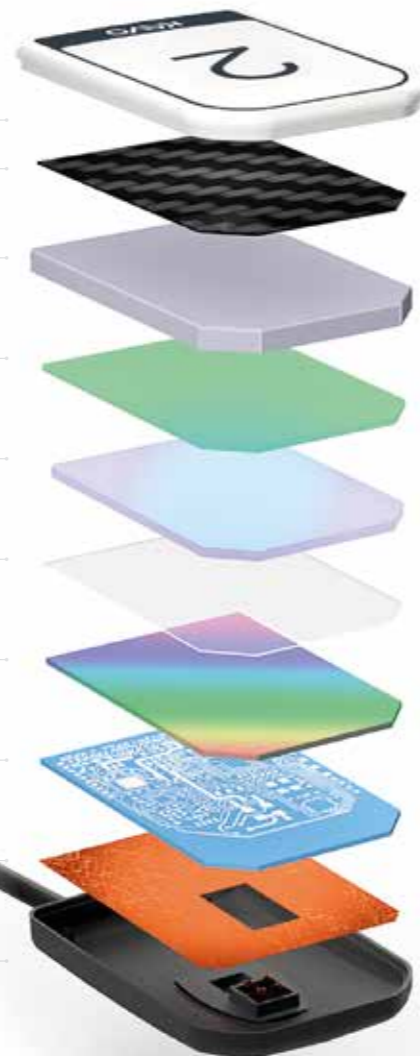
Optical coupling – vivid images over the entire image area through perfect optimisation and control

CMOS image sensor – HD camera

LTCC electronics – robust sensor

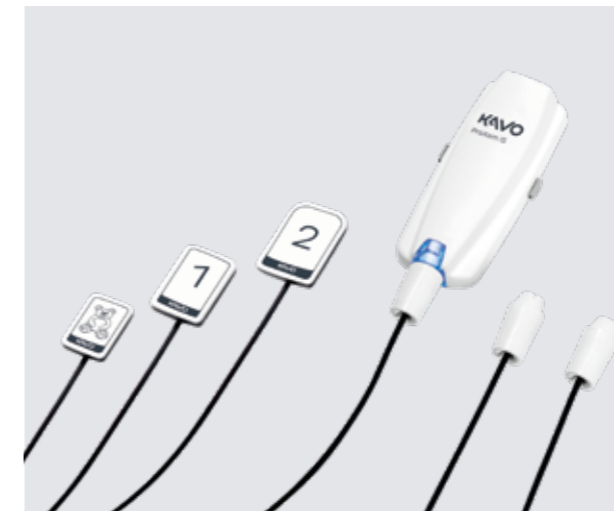
Protection against backscatter – reliable patient protection and sharper images

Cable – premium durability with Kevlar coating and only two cores



Find out more:
www.kavo.com/en/is

Well thought-out, from A to Z.



The total KaVo package.

Each KaVo ProXam iX X-ray unit is factory-prepared for easy integration and use of the KaVo ProXam iS X-ray sensors. As a result, optional retrofitting is extremely easy and is possible without the need for time-consuming cable laying on the unit. Thanks to the magnetic interface, the sensor can be attached with one hand. In this way, the sensor size can be changed quickly and easily, or the sensors can be easily transported from room to room.

Hygiene safety.

Suitable hygienic protective covers are available for the KaVo ProXam iS sensors, for easy, safe hygiene.

These sensors are a symbol of greatness.

The KaVo ProXam iS sensors are available in three different sizes:

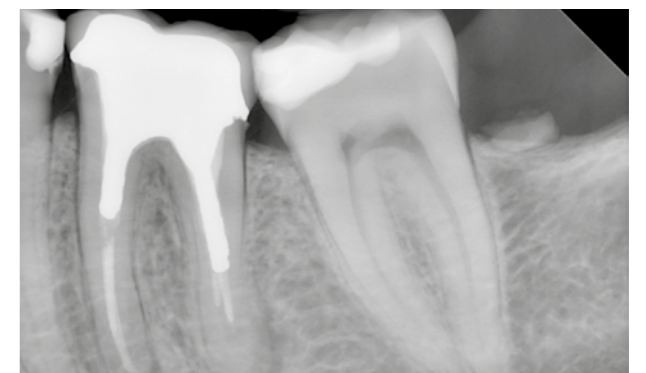
- Size 0 – for use with children, for example, for single tooth or bitewing exposures.
- Size 1 – ideal for exposures in the anterior region.
- Size 2 – suitable for bitewing shots, for example.

The optionally available right-angle holders support the safe and easy positioning of the sensors in the oral cavity. They are also available in three different sizes: 0, 1 and 2 to match the sensors.



Full flexibility for many options.

There are two different installation options for the ProXam iS sensors. The sensors are either integrated directly into the KaVo ProXam iX X-ray unit, or connected to the X-ray units (including third-party supplier units) with the separate interface box via USB or Ethernet cable.





KaVo ProXam iP
The clever scanning solution.

The KaVo ProXam iP is the clever scanner solution for fast and reliable intraoral X-rays.

KaVo ProXam iP

Versatile and powerful.

Compact and quiet for that extra bit of comfort.

Thanks to its compact dimensions, the KaVo ProXam iP imaging plate scanner can be conveniently used in the treatment room or in a separate X-ray room (also wall-mounted). In both cases, users will be impressed by its extremely quiet scanning process.

100% exposure for comprehensive image sections.

From the particularly large active area of the imaging plates, 100% of the surface is exposed, resulting in the largest possible image area. This offers the best diagnostic conditions and helps to eliminate the need for additional images.

Safer workflow with automatic avoidance of errors.

As part of the KaVo imaging portfolio, the KaVo ProXam iP is naturally compatible with the Romexis all-in-one software. One particular advantage here is that the software automatically recognises and reports when the wrong imaging plate side was exposed. This avoids time-consuming errors and provides security for a quick and smooth workflow.

An imaging plate that has it all.

The KaVo ProXam iP imaging plates are extra thin and flexible. Equipped with a digital serial number, the exposures per foil are counted, simplifying identification and replacement of defective foils. The imaging plates also score points in terms of sustainability: due to the high-quality workmanship and the automatic deletion function, they can be reused for a particularly long time. The KaVo ProXam iP imaging plates are available in different sizes:

- Size 0 – for use with children, for example, for single tooth or bitewing exposures.
- Size 1 – ideal for exposures in the anterior region.
- Size 2 – suitable for bitewing shots, for example.

Matching disposable light protection covers are available in all three sizes to ensure the necessary process safety. They not only protect the imaging plates from light, but also from dirt and contamination. Similar to the imaging plates, the matching cassettes are also available in three sizes and can be disinfected for hygiene safety.

With high-end scan technology for premium image quality.

2D scan technology... a technical highlight of the KaVo ProXam iP: an integrated, swivelling mirror ensures that the imaging plate does not have to be moved mechanically during the scanning process. This prevents motion artefacts on the image and blurring. The particularly small pixel size of 30 µm, along with the excellent resolution of up to 16.7 lp/mm, form the foundation for clarity of even the smallest details of every image.

Fewer features for more comfort.

In addition to its compact and practical design, the KaVo ProXam iP's operating panel is extremely smart and simple: there is only one button to turn the scanner on and off. A display provides direct visual feedback on the operating information and the status of the scan. Scanning couldn't be easier.



Find out more:
www.kavo.com/en/ip





KaVo ProXam iOS
Precise, digital impressions
for more comfort.

The digital recording of impressions is a modern, comfortable and time-saving alternative to conventional impression-taking techniques. With the KaVo ProXam iOS intraoral scanner, both intraoral images and impressions and models can be scanned in a very short time. A complete dental arch can be digitally recorded in less than a minute with the KaVo ProXam iOS.

KaVo ProXam iOS

- Faster, easier, more comfortable
- Treatments can be completed in just one sitting
- High precision through the digital impression-taking technique
- Easy digital transmission and storage
- Material and shipping cost savings

Simple and flexible

The KaVo ProXam iOS can be used directly on the treatment unit or as a stand-alone solution – can be fully integrated into the Romexis software.

Plug & Play

The practical plug-and-play function via the USB cable ensures maximum flexibility and makes it possible to use the KaVo ProXam iOS in different rooms.

Compact and light

The elegant and slim design and the low weight enable optimal handling and control when capturing images.

Just change the tip and scan!

You can choose between a standard tip and a SlimLine tip. This is thinner and smaller than the standard variant and is the perfect choice for scanning patients with small mouths.



The standard tip



The SlimLine tip



Optimised tooth colour detection

The integrated colour assistant automatically gives suggestions for better tooth colour detection with maximum colour uniformity.

Outstanding precision at an impressive speed

The KaVo ProXam iOS creates high-precision scans with a versatile and lively colour palette, with nearly no noise and in just a few seconds.

Reliable protection against infection

Autoclavable tips for more safety and improved protection against infection.



Replaceable cable

For more sustainability and a longer service life of the scanner.

Low energy consumption

High efficiency with low total power consumption.

Hygiene-focused operation

Two buttons on the scanner make it possible to operate the scanning software without a mouse or keyboard. This is not only more convenient, but also puts hygiene first by preventing possible cross-contamination.

Active anti-fog scanning

The tip is automatically heated, preventing the scanner lens from fogging up and thus allowing for continuous and quick scanning.

Particularly large field of view

The KaVo ProXam iOS's large field of view gives a comprehensive, precise picture of the current situation and the patient's oral health.

KaVo ProXam iOS

A real all-rounder
for daily use.



Find out more:
www.kavo.com/en/ios



The Romexis CAD/CAM module

The ideal addition to the KaVo ProXam iOS scanner.

As part of the KaVo imaging portfolio, the KaVo ProXam iOS is compatible with the Romexis software. The appropriate Romexis CAD/CAM software module was specially developed to simplify the entire workflow as part of intraoral scanning. Romexis CAD/CAM offers practical functions for capturing, visualising and analysing digital impressions, and optimises the entire workflow from the intraoral scan to the transmission of the digital data.

The all-in-one Romexis software eliminates the need for time-consuming data imports and exports and makes it possible to combine scan data and CBCT images. Combining various image data offers a multitude of new possibilities and makes implant planning or the creation of drilling template designs easier.



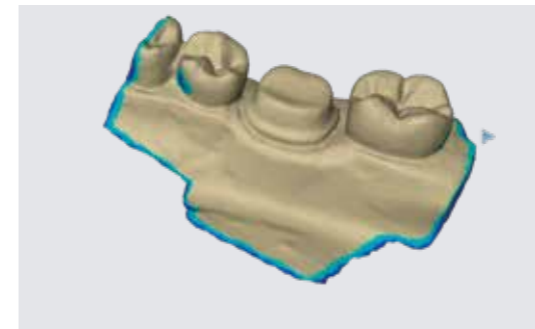
Orthodontics

Complete dental arch scans for digital orthodontic treatment planning pose no challenges for the KaVo ProXam iOS. The intraoral scan data can be combined with CBCT images, for example, and used to identify root movements and to monitor treatment progress and results.



Implantology

Implant positions can be scanned using scanbodies for the abutment design. Abutment recordings for the creation of crowns and bridges are also quick and easy. The intraoral scan data can be combined with CBCT images for digital implant planning or used to create drilling templates.



Prosthetics

Scans of preparations or abutments can be evaluated on the screen and then sent directly to the laboratory for the creation of crowns, inlays, onlays, veneers or bridges, for example. Scans taken with the KaVo ProXam iOS are suitable for temporary restorations or wax-ups as well as for the production of dental splints, removable dentures or other prosthetic solutions.



EXTRAORAL

KaVo ProXam 2D

Extraoral imaging at the highest level.

KaVo ProXam 2D is the modern 2D X-ray solution for digital imaging. Whether panoramic, extraoral bitewing, temporomandibular joint or sinus images, the KaVo ProXam 2D was specially designed for the daily tasks and challenges posed by dental imaging, and meets even the highest demands for image quality and ease of use in radiology.

The use of innovative technology at KaVo follows a clear goal: it must add real value in everyday practice.

The KaVo ProXam 2D meets this requirement in every respect and operation is simplified thanks to its numerous, automated presets and a multitude of smart support functions. The 2D image results are also impressive, with high resolution and a compelling level of detail. The robot-supported 2-joint arm with SCARA (Selectively Compliant Articulated Robot Arm) technology also ensures anatomically perfect image geometry from high-precision movements.



	ProXam 2D
Panoramic shots	x
Ceph imaging	x
Extraoral bitewings	x
TMJ recordings	x
Sinus imaging	x
Children's mode	x
Robotic technology, two-articulated model (SCARA2)	x



Find out more:
www.kavo.com/en/2D

Imaging with the KaVo ProXam 2D

The perfect symbiosis of simple operation and high image quality.

User and patient comfort go hand in hand.

The KaVo ProXam 2D can be controlled using the desktop software on the PC or via the adjustable touch display panel on the unit - another user-friendly feature.

Operating the touch display is simple and intuitive: the most recently used modes are displayed on the start screen, allowing the user to quickly select the desired X-ray programme. After selecting the programme, the step-by-step instructions guide you through the entire X-ray workflow.

The KaVo ProXam 2D also offers a number of advantages for patient comfort: thanks to the spacious, vertical range of motion, it is easy and convenient to take pictures of particularly tall patients as well as of children or wheelchair users. The open architecture allows for comfortable face-to-face patient positioning, which is a useful feature to reassure anxious patients.

For easy orientation, the patient's position is shown on the touch display.

The sagittal plane, the Frankfurt horizontal plane and the focus layer are projected via the triple laser system.

Functional and timeless.

Early in the design process, priority was given to developing a compact, space-saving unit.

The KaVo ProXam 2D impresses users not only with its timeless and attractive design, but also with material and processing quality that stands the test of time.

With the KaVo ProXam 2D, you're in the driving seat.

In addition to the standard panorama programme, there are other programmes to choose from:

- Bitewing
- Temporomandibular joint
- Sinus
- Optional Ceph imaging for all orthodontic needs

A special highlight: the KaVo ProXam 2D extraoral bitewing imaging programme offers an improved interproximal angulation geometry, which ensures more precise images of the bitewing with low radiation exposure.

Less radiation with the same image quality.

To reduce the radiation dose, the exposure area can be focused on the diagnostic target area with the KaVo ProXam 2D using the optional "Horizontal and vertical segmentation" programme. Compared to the full panoramic exposure, the radiation dose is reduced by up to 90%.

To protect the smallest patients, the KaVo ProXam 2D offers a special children's mode within each programme, in which the image area and the exposure times are reduced, thus minimising the radiation dose from the outset. This children's mode is automatically activated as soon as the smallest patient size is selected in the respective programme. As soon as the respective settings have been made, the KaVo ProXam 2D X-ray unit automatically adjusts all exposure parameters and the kV and mA exposure values can then be readjusted manually.



The technological highlights at a glance:

- The patented SCARA (Selectively Compliant Articulated Robot Arm) technology ensures anatomically correct image geometry.
- Easy-to-use touch display with a variety of practical presets.
- Fully integrated into the Romexis all-in-one software for additional time savings in the digital process.
- More flexibility with the ability to expand to the cephalometric unit.

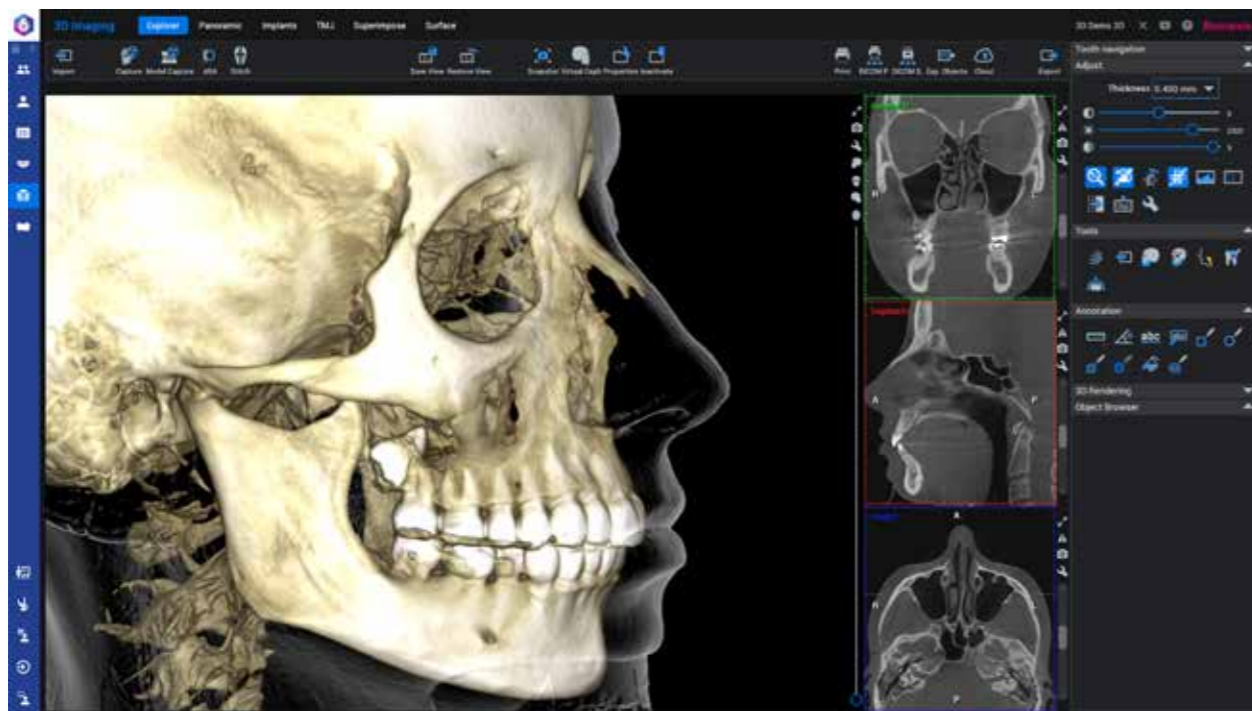
KaVo ProXam 3D | 3DQ

Minimum radiation dose, maximum quality.

Diagnostically impressive 3D imaging at the highest level – that is the claim of the KaVo ProXam 3D X-ray portfolio.

The two KaVo 3D X-ray units – KaVo ProXam 3D and KaVo ProXam 3DQ – offer modern, three-dimensional maxillofacial imaging at the highest level, and include numerous supplementary 2D programmes. Based on extremely small voxel sizes, the KaVo 3D X-ray units generate high-resolution and detailed CBCT images of compelling quality, even with a reduced radiation dose.

The KaVo ProXam 3D series units, in combination with the all-in-one Romexis software, offer everything you need for an efficient, smart X-ray workflow. That means a safe investment, and a process-optimised digital future.



KaVo ProXam 3D

3D X-rays at the highest level.



The KaVo ProXam 3D product series offers a comprehensive range of 2D and 3D imaging programmes: In addition to the standard 2D panorama programmes, an extraoral bitewing programme, a mode for horizontal and vertical segmentation, a Ceph programme and a special children's mode are available.

Programmes for 3D imaging include:

- single tooth images with an endodontics function for extra high-resolution detailed images with a voxel size of 75 µm
- imaging of several teeth or entire rows of teeth including increased volume
- a double or triple tooth scan for automatic combination into a larger 3D image

KaVo ProXam 3DQ

That certain something more.



In addition to the functions of the 2D and 3D X-ray unit, the KaVo ProXam 3DQ offers considerably more: what mostly sets the ProXam 3DQ apart is its maximum volume size, which offers additional imaging options and a greater variety of diagnostic applications. It is suitable, for example, for taking images of the sinus, nose, middle ear, petrous bone, cervical spine and airways. In addition, the KaVo ProXam 3DQ offers free volume positioning: its C-arm and chin rest adjust automatically depending on which volume is selected, and therefore do not require manual adjustment.

	KaVo ProXam 3D	KaVo ProXam 3DQ
Voxel size	75 / 100 / 150 / 200 / 400 µm	75 / 100 / 150 / 200 / 400 / 600 µm
Maximum volume single scan	Ø8 x 8 cm	Ø19 x 10 cm
Extended volume single scan	Ø10 x 8 cm	
Maximum volume multiple scans		Ø19 x 15 cm



Find out more:
www.kavo.com/en/3D

	KaVo ProXam 3D	KaVo ProXam 3DQ
Correction of motion artefacts with CALM®	x	x
Imaging with Ultra Low Dose™	x	x
Endodontics mode	x	x
3D dental programmes	x	x
3D ENT programme		x
2D panoramic imaging	x	x
Ceph imaging	x	x



Find out more:
www.kavo.com/en/3DQ

Comfort at its finest Simple, intuitive and safe.

In addition to a design optimised for user and patient comfort, both the ProXam 3D and the ProXam 3DQ offer an incredibly simple, intuitive unit operation throughout the entire X-ray process.



Ease of use is a top priority.

A KaVo ProXam 3D X-ray unit can be controlled and operated in two ways: either via the swivelling touch display panel on the unit or remotely through the desktop software on a PC. In addition to the cleverly designed graphic

interface, the touch display also impresses users thanks to simple and quick programme selection and preset exposure values for a wide variety of imaging types. The step-by-step instructions, which guide users through the entire X-ray workflow, are an added bonus.

2D and 3D imaging with just one sensor.

With the intelligent SmartPan™ imaging system, the 3D sensors can be used for all 2D images. This eliminates the need for a time-consuming sensor change between CBCT and panorama imaging.

Suitable for all patients.

The open architecture of the KaVo ProXam 3D X-ray units and their spacious, vertical range of motion make it easy to position children, very tall patients, or wheelchair users. The robot-controlled SCARA (Selectively Compliant Articulated Robot Arm) technology with 3-joint arm enables high-precision movements for anatomically correct image geometry. This allows the C-arm to be fully extended, ensuring easy entry from the side. The open face-to-face positioning gives anxious patients, for example, the sense of security they need. For better visualisation and to support patient positioning, this is shown on the touch display. The integrated quadruple laser system is available for correct patient placement.

Suitable for the KaVo 3D X-ray units:

the KaVo PHYSIO chair with stepless height adjustment and lockable castors, resulting in precise and stable patient positioning with every X-ray.

Scout images help verify volume positioning.

Before the actual 3D image, two 2D images can be created laterally and posterior/anteriorly. This helps prevent unnecessary 3D images and minimises the radiation dose for the patient.



Appropriate recording modes for a variety of indications.

Depending on the clinical situation, the tailor-made recording modes of both KaVo ProXam 3D units provide accurate presets, enabling the best possible image quality with the lowest possible radiation dose.

- In the Ultra Low Dose mode, each X-ray image is created with the minimum radiation dose possible. Ideal for paedodontic dentistry, orthodontics and sinus applications (voxel size 400 or 600 µm).
- The normal standard mode is the choice for all standard X-ray examinations (voxel size 200 µm).
- The High Definition or HD mode is ideal for recording extremely fine structures such as fractures (voxel size 150 µm).
- The HiRes (High Resolution) mode provides particularly high-resolution images (voxel size 100 µm).
- The endodontics mode offers the maximum resolution (voxel size 75 µm).

With Ultra Low Dose to High Performance Same image quality, less radiation.



With the Ultra Low Dose imaging protocol, the KaVo ProXam 3D units offer high-quality CBCT images with a radiation dose that is lower than with conventional 2D panoramic images. The effective radiation dose per patient can be reduced by an average of 77% in Ultra Low Dose mode – without any loss of image quality.* Based on special 3D algorithms, the Ultra Low Dose mode can be used with all voxel sizes and in all programmes – up to and including Endo mode.

For a variety of indications, exposures in Ultra Low Dose mode are particularly suited for the following indications:

1. implant planning
2. postoperative follow-up after maxillofacial interventions
3. examination of the airways and sinuses
4. In orthodontics:
 - for determination of the apical bone supply
 - for locating non-erupted or impacted teeth
 - for defining reference points for cephalometric analysis

* Study of Orthodontic Diagnostic FOVs Using Low Dose CBCT protocol (Ludlow, John Barrett and Koivisto, Juha).



Automatically brilliant results Intelligent features for reliably good image quality.

CALM mode: For automatic correction of motion artefacts.

- Iterative algorithm for automatic correction of motion artefacts.
- Ideal for longer scan times and imaging of restless patients, especially children or older patients.
- Minimal time and radiation dose through the elimination of additional repeat exposures.



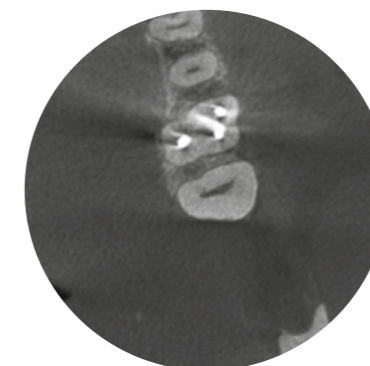
Without correction of motion artefacts



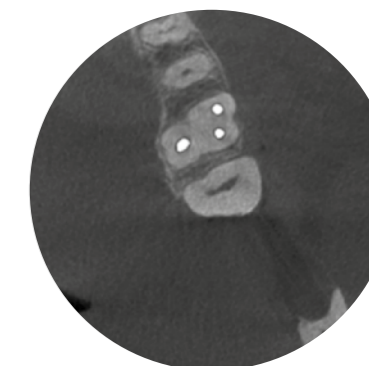
With the CALM® algorithm to correct movements

ARA mode: Outstanding image results without metal artefacts.

- Reliable algorithm for artefact-free recordings
- Automatically removes shadows and strips that can be caused by metal restorations or root fillings.
- Scientifically proven, tried and tested in practice



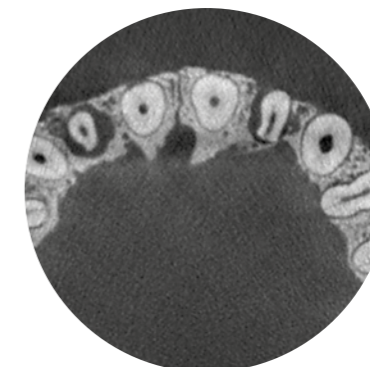
Without artefact removal



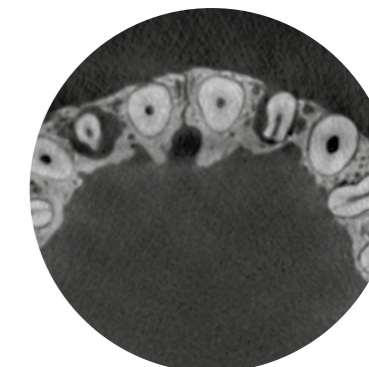
With artefact removal algorithm ARA™

AINO mode: For reliable noise reduction.

- Noise-free images without any loss of valuable details
- Enables the lowest dose of radiation
- Optimum image quality through the use of small voxel sizes, for example in endodontics mode
- When using Ultra Low Dose mode, AINO is enabled by default.



Without noise reduction



With noise filter AINO™

Ceph imaging with KaVo ProXam

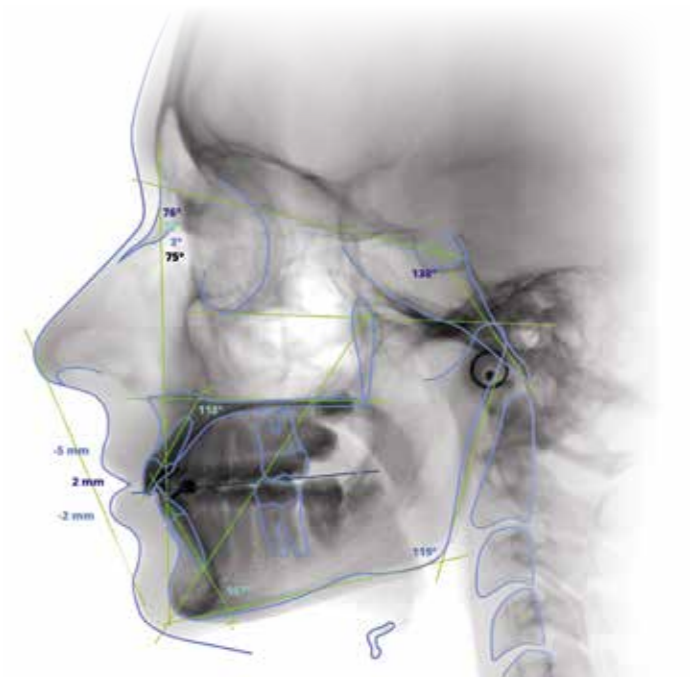
Intelligent solutions specifically for orthodontics.

More flexibility for a variety of image formats. Ceph can be used as an additional feature for all extraoral KaVo ProXam imaging units and offers an extended selection of image sizes of up to 30 x 27 cm. The KaVo ProXam scans the patient's head horizontally with a narrow X-ray beam, ensuring an extremely low and effective patient dose.



High-quality equipment components particularly suitable for orthodontic requirements:

- The head positioning support and the nose clip made of carbon fibre are radiolucent, particularly stable and hygienic.
- The unit aligns itself automatically for each cephalometric image and selects the appropriate collimator.
- The rotating X-ray emitter enables cephalometric imaging without removing the 3D sensor.
- Special collimation options for paediatric imaging





SOFTWARE

Romexis

The leading all-in-one software specifically for dentistry.

As the world's leading all-in-one software, Romexis is the suitable all-round solution for the digital challenges faced in today's dental practices and clinics. The software, which has been tried and tested for years, connects all ProXam units within the practice and enables dentists to smartly optimise and digitise their practice workflows.



COMPATIBLE WITH
MAC* AND WINDOWS

**Some features are only supported on Windows operating systems.*



Find out more:
www.kavo.com/en/Romexis



Flexible and versatile

The universal software platform for the dental imaging process.

Romexis supports dentists in the creation of images and in diagnostic evaluation, processing and storage of 2D and 3D X-ray images and intraoral scans as well as in the processing of generated CAD/CAM data.

A convenient imaging programme for every need.

Romexis offers a variety of reliable tools that support either detailed treatment planning or the design of drilling templates, splints and tooth models as well as restorations for in-house 3D printing or milling.

Romexis is designed with an emphasis on intuitive and efficient operation and can be quickly and easily adapted to individual requirements or personal user needs.

Open and integrated.

With a wide range of integrated image processing programmes and compatibility with practice management systems – including third parties – Romexis is an open, comprehensive and future-proof software solution.

All 2D, 3D and CAD/CAM data can be exported or imported in standard format at no additional cost. In addition, Romexis supports the DICOM (Digital Imaging and Communications in Medicine) standard, which can also be connected to hospital systems.

A central, unit-independent image archive.

Imaging units from other manufacturers, such as panoramic X-ray units or scanners, can be connected directly to the Romexis platform using the TWAIN standard. The Romexis database can receive images from third-party units using the DICOM standard and can therefore also be used as a central, unit-independent image archive.

Integrated document management.

With Romexis, it is easy to create professional, high-quality diagnostic documents or radiology reports and send them to referring doctors. Multi-page documents of any format can also be attached directly to patient files. This is not only quick and easy, but also makes it easier to store Ceph tracings, bank transfers and other important documents.

One solution for everyone:
Romexis is the all-in-one dental software for all practice sizes in all dental specialties.

All practices and clinics

- Private practices with one treatment room all the way up to large, multi-surgery practices
- Practices with multiple locations
- Medium-sized clinics
- Hospitals and universities

200,000

users worldwide trust in Romexis

* 40 MIO

Images from more than
1.4 million patients per year.

**The figures refer to the largest networking with Romexis within a practice today.*

All data

- CBCT imaging
- 2D X-ray images
- Photos and videos
- Intraoral 3D scanners
- TWAIN units

All specialties

- Radiology
- Implantology
- Dental prosthetics
- Orthodontics
- Endodontics
- Periodontology
- Aesthetic dentistry

All platforms

- Native support for Windows and Mac**



***Some features are only supported on Windows operating systems.*

The future in sight

Probably the most advanced software.

When it comes to creating and processing 2D and 3D images, Romexis is the software of choice. Powerful optimisation and analysis tools form the foundation for precise diagnoses in all specialist areas. In order to ensure maximum flexibility, Romexis naturally adapts to personal needs and individual practice or clinic requirements when it comes to imaging.

Reliable tools for reliably high-quality images.

With a comprehensive selection of tools for viewing, editing, measuring, drawing and evaluating images, Romexis optimises the diagnostic content of each X-ray image. Simple import and export functions, as well as customisable modules, can be used.

Convenient 3D diagnosis.

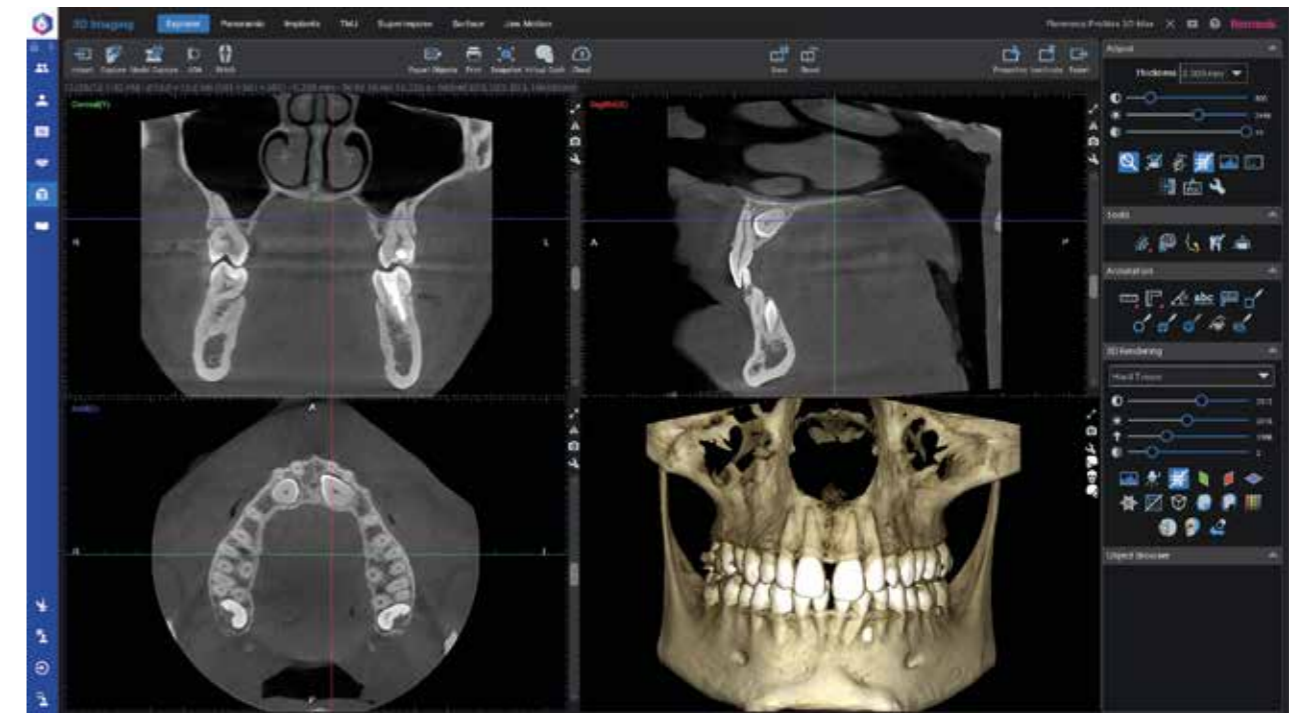
The 3D rendering function from Romexis offers a perfect overview of the anatomical situation and, thanks to its precise representation, is also suitable for use in patient consultations. All 3D images can be viewed from different perspectives, converted into panorama images or cross-sectional layers and edited.

Simply compelling: superimposed CBCT images.

Romexis allows for the superimposition of two CBCT images and thus offers users a valuable diagnostic tool for analysis, control and for before/after comparisons. Superimposed CBCT image data is a frequently used diagnostic and analysis tool, especially for follow-up in orthognathic surgery or orthodontic treatment.



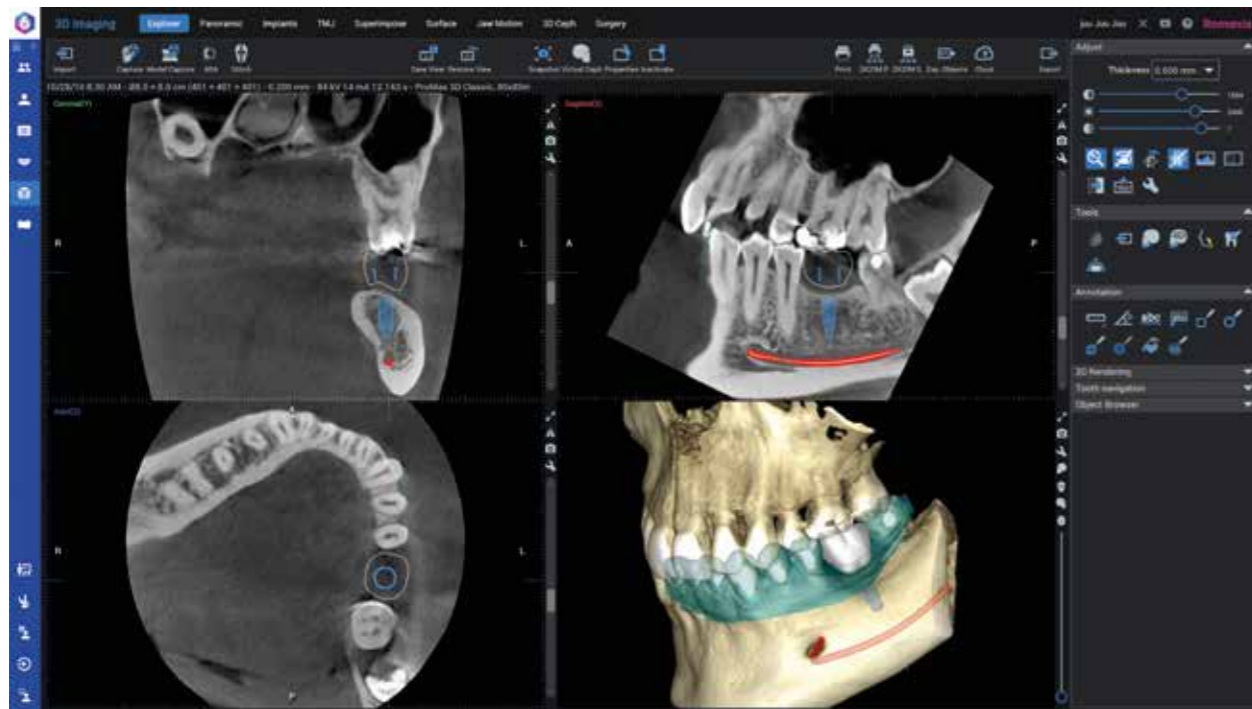
2D panoramic shots



CBCT images

Simple and clear
The complete implant
workflow is always in view.

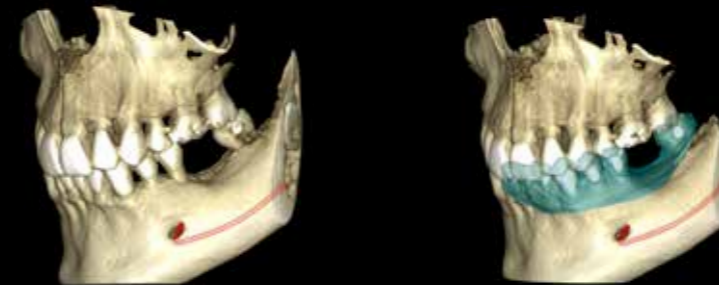
The Romexis 3D Implant Planning module provides all the necessary tools and technologies for digital implantology: from surgical planning to template-supported surgery.



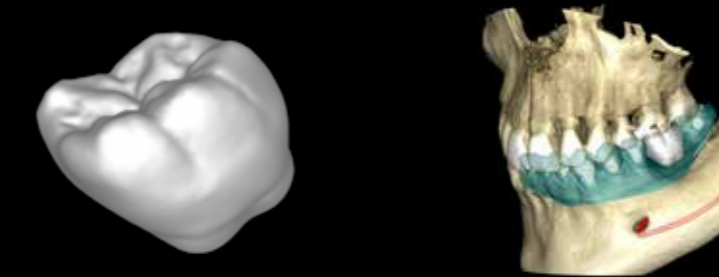
The Romexis implant library includes numerous realistic implant models and sleeves for drilling templates. In addition, Romexis grants access to implant models from over 100 manufacturers. After completing the implant planning, Romexis can produce the desired drilling template with just a few clicks.

Romexis thus offers optimal conditions for perfect top-down implant planning. By visually laying the crown and tooth model over the CBCT data, users can create a complete, virtual setup from a prosthetic and surgical point of view for optimal positioning of the implant.

The simple top-down
implant workflow.



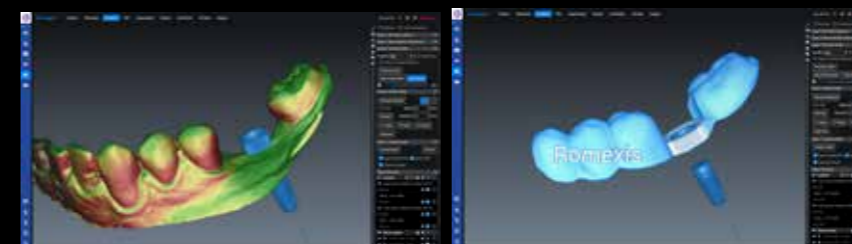
1: Mark the nerve on the CBCT image and overlay the 3D model scan with the CBCT image.



2: Import the appropriate patient-specific crown into the software from the Romexis crown library or a CAD system.



3: Select the desired implant and matching sleeve from the Romexis library and determine the optimal position from a prosthetic and surgical perspective.



4: Design the implant template directly in the Romexis software – the software automatically creates an open STL file for the design and enables the design of complementary tooth – and mucosa-supported templates.



5: Print out the drilling template you have created using a 3D printer.



SERVICE

Service quality Made in Germany

In addition to the impressive products and practical solutions, KaVo's claim of "Dental Excellence" also includes premium service with needs-based and coordinated services. That is KaVo 360: leave all of your worries behind with KaVo premium quality – backed by optimal service.

Technical Support and Service Training

Only specialist dealers who have been trained and certified by KaVo can carry out a high-quality KaVo service. The KaVo technical support professionals provide specialist dealers with uncomplicated, fast and competent support, whenever necessary. KaVo Campus Service Training forms the qualitative foundation for service and trains specialist trade technicians on their specific tasks with the KaVo product range. Therefore, it is not only an essential part of the specialist dealer certification, it also guarantees the high KaVo service quality.

Customer service Made by KaVo.

Every day, the KaVo Customer Service team in Biberach handles over 500 customer enquiries and orders in German, English, Spanish, French, Italian, Russian, Dutch and Turkish, and ensures that every enquiry is processed within 24 hours. Daily contact with the certified KaVo specialist dealer is a very important part of KaVo customer service. To be able to offer and deliver what KaVo customers need at any time, direct and fast communication is the key.

High-quality training for outstanding products



The goal? A first-class user experience!

The new, innovative digital workflows create unprecedented possibilities for everyday work in practices and clinics. KaVo organises comprehensive training courses for all of its customers and partners so that users can fully exploit the range of services included with their products and thus realise the true value of their investment. Particular attention is paid to training sales partners and technicians to ensure the best possible customer service worldwide and at all times, for maximum customer satisfaction. All training courses are characterised by modern didactics,



innovative methods such as blended learning formats in a motivating and stimulating learning environment, and also sometimes involve dentists. The KaVo training sites enable high-quality sales, technology and user training, and offer targeted e-learning courses or advanced training webinars. In addition to this, most branches and sales partners also conduct product training courses on their own sites, thus rounding out the comprehensive education and training programme.



KaVo Maintenance: Offering you safety during routine activities at your dental practice

As a medical unit manufacturer, we are obliged to stipulate maintenance activities, technical safety inspections and integrated unit tests. This approach serves two purposes: it ensures functional safety and prevents damage, health hazards and legal risks. Regular maintenance also prevents expensive downtimes and helps you to preserve the value of your KaVo products.

In Germany, operators, unit managers and users are obligated to operate their units in compliance with the provisions of the Medical Devices Act (MPG). To ensure that the KaVo product is always ready for use, safe and retains its value, the recommended maintenance services must be carried out annually. This includes, among other things, all inspection tasks as required by the Operator Ordinance (MPBetreiberV) § 4 and § 7, as well as the prescribed safety check at intervals of 2 years.

Dental practice operators are responsible for:

- Conducting the safety check in accordance with IEC 62353
- Compliance with hygiene standards

These requirements can be met during the scope of maintenance carried out by KaVo or the certified specialist dealers.

The following individuals are authorised to carry out repairs and maintenance:

- Technicians from the KaVo branch who have received appropriate product training.
- Technicians from KaVo authorised dealers who have been specially trained by KaVo.

All certified service technicians are also obliged to only use original KaVo spare parts.



BENEFITS OF MAINTENANCE:

Regular maintenance keeps the image quality high and thus ensures the diagnostic integrity of the images!

10,000
exposures per year

Optimal
COLLIMATION
of the X-rays

Up-to-date and precise
CALIBRATION
of the **X-RAY SENSORS**

Smooth,
mechanical
MOVEMENT SEQUENCES

Maintenance components

Testing of all important functions, e.g. control lamps, safety switches, alarms.	●
Checking and, if necessary, renewing the lubrication of all important drives (linear drive, diaphragm drive, temple drive, patient support)	●
Check the installation position of the column motor nut	●
Clean the inside of the Reco-PC housing	●
If agreed, test carried out according to 6868-15	● ●
Carry out calibrations (device tool) according to the service instructions	●
Carry out constancy test according to instructions (Pano/Ceph)	● ●

● Carried out by service technician | ● Legal requirement | ● Carried out by operator on a regular basis

Technical specifications

The KaVo ProXam iX intraoral X-ray unit

Product description

The KaVo ProXam iX is a microprocessor-controlled intraoral X-ray unit with a high-frequency X-ray generator. The product has 66 pre-programmable exposure parameters for quick and easy operation. The small focal point of only 0.4 mm ensures sharp images with minimal distortion.



Adjustable exposure parameters

Tension	60-70 kV
Contrast and density of objects	2-8 mA
Exposure time	0.01-2.0 seconds, 24 levels

Key benefits

- Easy and accurate positioning, stable arm, very light weight and compact size
- Very long range (203 cm)
- Hygienic surfaces
- Hand-held remote control or fixed panel, remotely installable
- Small focal spot, automatic compensation for mains voltage fluctuation
- Adjustable anode voltage (60, 63, 66 and 70 kV)
- Adjustable anode current 2, 3, 4, 5, 6, 7, 8 mA
- 24 visually detectable density levels of the exposure times
- 11 levels of density for different films
- Pre-programmable exposure parameters
- Optimised image quality for all techniques, outstanding definition and sharpness
- Automatic transfer of exposure parameters to Romexis (in combination with KaVo ProXam iS or KaVo ProXam iP and Connector Box)

- Short and long tube (200 and 300 mm), density compensation for different tubes
- Rectangular tube for better radiation hygiene
- Automatic switch-on control
- Self-diagnostic system and help codes

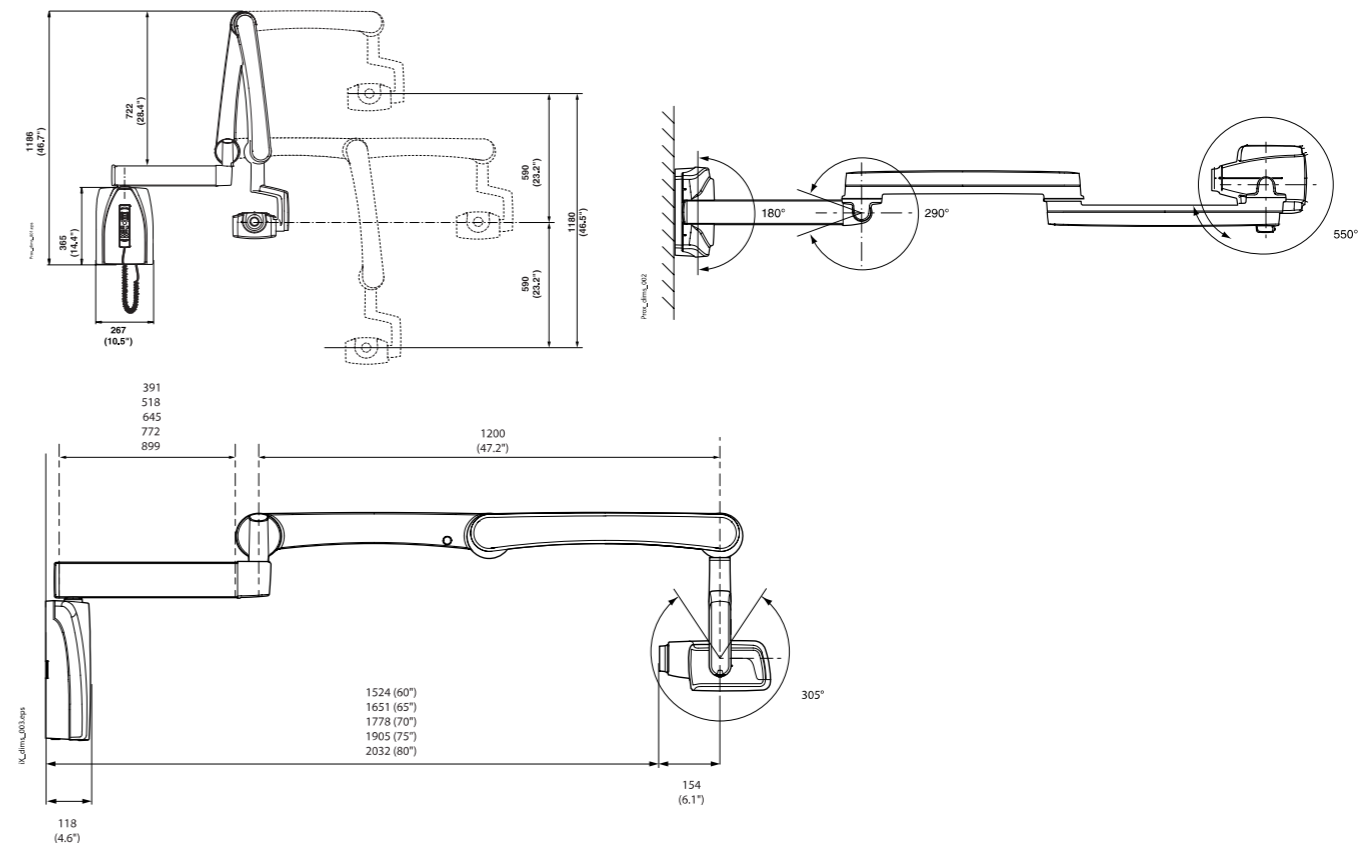
Assembly:

- Wall mounting (default)
- KaVo treatment unit integration
- 5 selectable extension arms
- Tube head design: near the patient's chest during occlusal imaging
- Each KaVo ProXam iX X-ray unit is prepared for use of the KaVo ProXam iS sensors. The sensors can be attached directly to the X-ray source.

Technical specifications

Generator	DC voltage, microprocessor controlled, operating frequency 66 kHz
X-ray tube	Toshiba D-041SB
Focus	0.4 mm according to IEC 60336
Tube diameter	60 mm round 36 x 45 mm rectangular
Filtration	at least 2.5 mm Al
Anode voltage	60, 63, 66, 70 kV; ±1 kV Adjustable working area
Rise time	8 ms at 70 kV
Anode current	2-8 mA DC, 1 mA steps
Exposure times	0.01-2.0 seconds, 24 levels
Focus-Skin Distance (Standard/Long)	Round (200 mm/300 mm) Rectangular (300 mm/ 345 mm)
Mains voltage	100/110-115/220-240 ±10%, 50/60 Hz
Merging	15 AT/ 8 AT
Work cycle	1:30, automatic control
Weight	33 kg total X-ray emitter: 4.2 kg with standard tube 4.5 kg with long tube
Range	152 cm, 165 cm, 178 cm, 191 cm, 203 cm

Dimensions

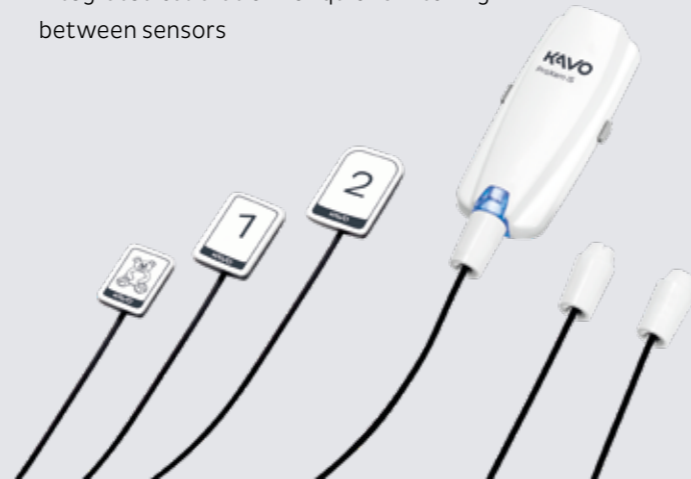


Technical specifications

KaVo ProXam iS intraoral sensors

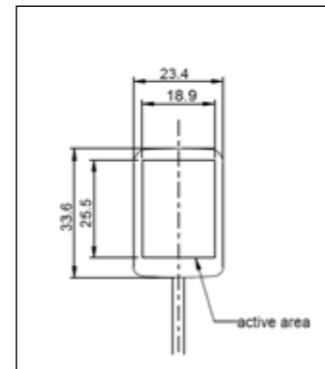
Key benefits

- Advanced image sensor for sharp images with high contrast and low noise
- Theoretical resolution 33 lp/mm, true resolution > 20 lp/mm
- Large dynamic range
- Three sensor sizes with rounded edges
- White housing for easy positioning
- Magnetic connector for easy operation
- Colour-coded LED light on the interface box for instant feedback
- Hermetically sealed housing for the best protection against infection
- Compatible with Windows and macOS
- Plug-and-Play USB solution
- Integrated calibration for quick switching between sensors

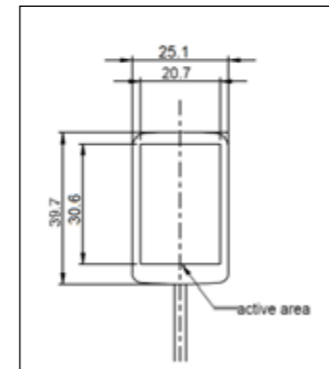


Technical specifications

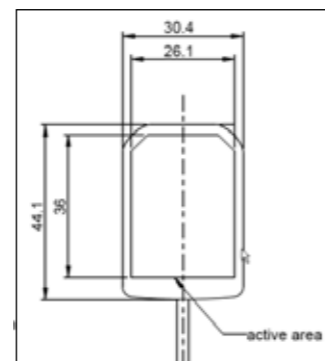
Sensor	
Sensor type	CMOS with scintillator
Pixel size	15 µm x 15 µm
Image format	16 bits
Resolution (Normal)	17 lp/mm
Resolution (High)	> 20 lp/mm
Theoretical resolution	33 lp/mm
Cable length	1 m or 2 m
Expected Lifetime	10 years/100,000 cycles
Size 0	
Dimensions	33.6 x 23.4 x 7.1 mm
Active area	25.5 x 18.9 mm
Pixel matrix	1700 x 1258
Pixel count	2.14 M
Image size	850 x 629 (0.5 MP)/ 1700 x 1258 (2.13 M)



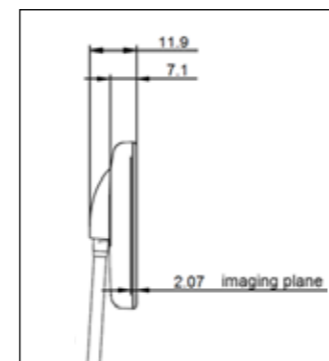
Size 0



Size 1



Size 2



Size 0, 1, 2

Sensor

Size 1

Dimensions	39.7 x 25.1 x 7.1 mm
Active area	30.6 x 20.7 mm
Pixel matrix	2040 x 1380
Pixel count	2.82 M
Image size	1020 x 690 (0.7 M)/ 2040 x 1380 (2.82 M)

Size 2

Dimensions	44.1 x 30.4 x 7.1 mm
Active area	36 x 26.1 mm
Pixel matrix	2400 x 1740
Pixel count	4.18 M
Image size	1200 x 870 (1.0 M)/ 2400 x 1740 (4.18 M)

Interface box

Ethernet

Dimensions	112 x 46 x 24 mm
Power consumption	48 V DC 65 mA
Interface box to PoE	RJ45 10 m or 15 m
PoE to LAN	RJ45 10 m or 15 m

PoE (Power over Ethernet)

Phihong single port injector

Type	PSA16U-480 (POE)	POE15M-1AF/ POE15M-1AFE-R
Input voltage	100-240 V AC (50-60 Hz)	100-240 V AC (50-60 Hz)
Output voltage	48 V DC	56 V DC
Maximum output current	0.32 A	0.275 A
Insulation voltage primary-secondary	3000 V AC	3000 V AC

USB

Dimensions	112 x 46 x 24 mm
Cable	Permanently installed USB 2.0 power cable 2 m
Power consumption	2.5 W

Technical specifications

KaVo ProXam iP imaging plate scanner

Product description

The KaVo ProXam iP has been developed to fit seamlessly into the workflow of your practice. It is a powerful and extremely durable imaging plate scanner. The compact scanner fits into any room and helps practices/clinics avoid downtime and ensure maximum efficiency.

The imaging plate scanner uses RFID technology for a fast scanning and identification process. The intelligent imaging plates can be used several times and are immediately prepared for further imaging thanks to the built-in delete function. The flexible and pliable imaging plates are very comfortable for the patient and are available in sizes 0, 1 and 2.



Key benefits

- Compact and stylish scanner that takes up minimal space
- Durable and maintenance free
- Ideal for chairside use
- Easy and intuitive to use
- The scanning process protects the imaging plates
- Automatic deletion of data after each scan
- Easy infection control thanks to the light protection covers
- Fully compatible with Windows and macOS
- Imaging plates in sizes 0, 1 and 2
- 100% of the imaging plate is exposed.
- Ergonomic design: rounded edges, thin and wireless
- White backing for enhanced visibility
- Equipped with an RFID chip: exposures can be counted and the imaging plates tracked
- Automatic error detection in the Romexis software if the wrong side of the image plate is exposed

Technical specifications

Imaging plate scanner

Classification

Medical Device Directive (93/42/EEC)	Class 1
Laser class according to EN 60825-1:2014: 1	Class 1

General technical data

Dimensions	167 x 231 x 216 mm
Weight	approx. 4 kg
Work cycle	100%
Noise level during scanning process	approx. 45 dB (A)
Scan time	20 sec.
Delayed display	~26 sec.*
Expected Lifetime	8 years

Network connection

LAN technology	Ethernet
Standard	IEEE 802.3u
Data rate	100 Mbit/s
Connection	RJ45
Connection type	Auto MDI-X
Cable type	≥ CAT5

Electrical data for imaging plate scanners

Nominal voltage	24 V DC
Max power consumption	0.5 A
Max power input	< 12 W
Protection class	II

Electrical data power supply

Input voltage rating	100-240 V AC
Frequency	50/60 Hz
Rated output voltage	24 V DC
Max output current	0.5 A

Technical specifications

The ProXam 2D Panorama X-ray unit

Product description

The KaVo ProXam 2D X-ray unit offers a wide range of extraoral imaging methods:

- Panoramic imaging
- Imaging of the maxillary sinus/sinus
- Imaging of the temporomandibular joint
- Ceph option



Microprocessor-controlled resonance mode generator with constant potential

- Very high operating frequency 80–150 kHz (resonant mode)
- Maximum residual ripple 670 Vpp (0.4% 84 kV)
- Ultra short rise time, < 3 ms
- Very wide range of exposure parameters, 1–16 mA / 60–84 kV
- Low patient dose
- Universal power input
- Mains voltage fluctuations are automatically compensated

Reliable mechanical construction

- Small size and light weight, total weight 113 kg
- Unique 2-joint SCARA (Selectively Compliant Articulated Robot Arm) technology enables movements and imaging geometries for basic panoramic imaging, smooth and quiet microstepping motors
- Telescopic column without counterweight. Maximum height adjustable.
- Automatic primary collimator with four leaves
- Available as wall mounted

Available 2D imaging programmes

Basic panorama programmes (incl. double lateral TMJ programme, double posterior/anterior TMJ programme, posterior/anterior sinus programme)	Included in scope of delivery
Horizontal and vertical segmentation	Optional
Bitewing Panorama Programme	Optional
Ceph imaging	Optional
Optional child mode	Included in scope of delivery

Sensor system

- One interchangeable sensor for panoramic and cephalometric images or two fixed sensors
- Easily and quickly switch between imaging modes
- Very small and adjustable pixel size, high-resolution imaging, minimised motion blur
- Highly sensitive detection → low dose of radiation
- Dental Image Contrast Enhancement (DICE) automatically optimises the image contrast and exposes image details throughout the grey scale
- Fast Ethernet connection to the computer
- Radiation hardened long-life sensor

Ceph (optional)

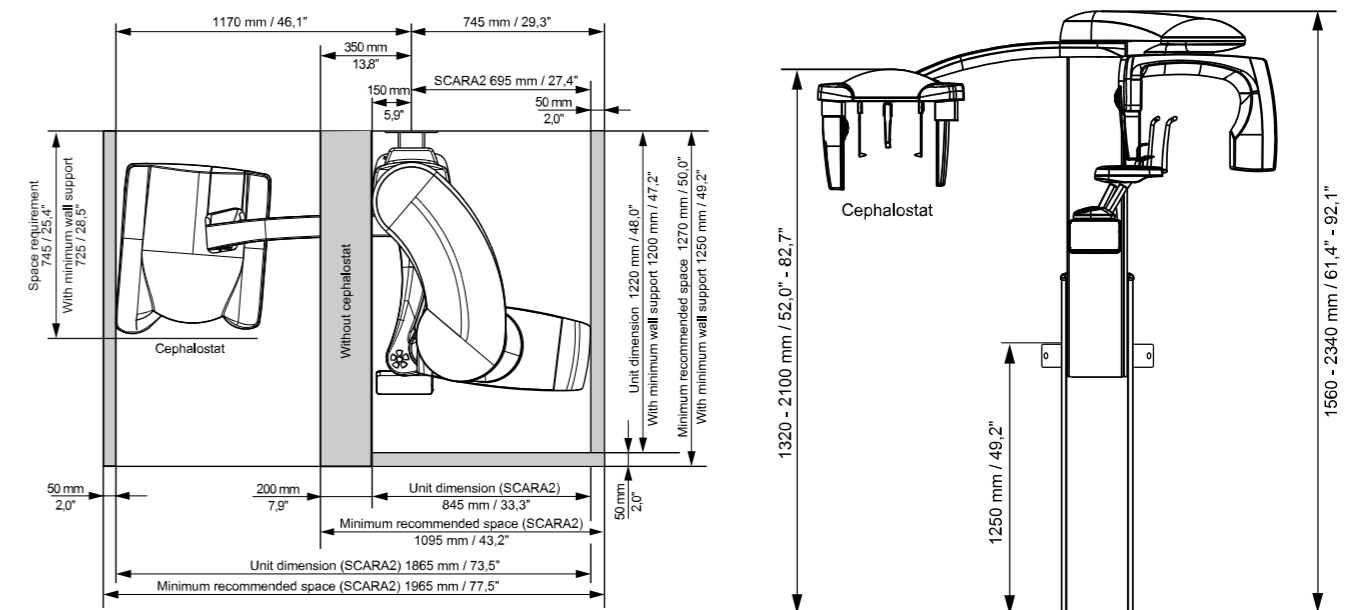
- Stable construction
- Automatic alignment of the radiation source
- Clever design with user-friendly head positioning, pivoting nose pad, low-absorption carbon fibre positioning cones
- No mechanical soft tissue filter, soft tissue filter in imaging software
- Image size from 18 x 18 cm to 30 x 27 cm
- All projections possible: lateral, AP/PA, oblique, submental apex, Waters', AP Towne, Hand & Wrist

Dimensions

The following figures show the dimensions of the X-ray unit and the minimum space required (grey area) for smooth operation. The maximum height is adjustable.

The maximum height is adjustable

Weight	119 kg (3D unit) 26 kg (Ceph)
Chin rest level	96–178 cm
Ceph ear pad height	97–179 cm



Technical specifications

KaVo ProXam 3D CBCT X-ray unit

Product description

The KaVo ProXam 3D offers state-of-the-art, three-dimensional maxillofacial imaging at the highest level, including numerous additional options for creating 2D panoramic, extraoral bitewing and cephalometric images.

On the basis of extremely small voxel sizes, the KaVo 3D X-ray unit generates high-resolution and detailed CBCT images in diagnostically compelling quality and, thanks to the easy-to-use, intelligent setting modes, the image quality is impressive even at small radiation doses.



2D imaging






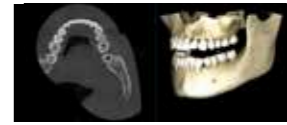
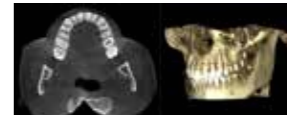
Ceph for ceph images.

Available resolution modes

Mode	Endodontics (optional)	High Resolution	High Definition (HD)	Normal	Low
Voxel size in μm	75	100	150	200	400

3D imaging programmes and volume sizes

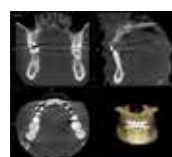
3D standard programmes

Programme	Volume (child size), cm	Example	Mode/voxel
Tooth	$\emptyset 5 \times 5 (\emptyset 4,2 \times 4,2)$		Endo 75 μm HR 100 μm HD 150 μm N 200 μm d L 400 μm
	$\emptyset 5 \times 8 (\emptyset 4,2 \times 6,8)$		HD 150 μm N 200 μm d L 400 μm
Teeth	$\emptyset 8 \times 5 (\emptyset 6,8 \times 4,2)$		HD 150 μm N 200 μm d L 400 μm
	$\emptyset 8 \times 8 (\emptyset 6,8 \times 6,8)$		
Teeth (Extended volume)	$\emptyset 10 \times 5$ $\emptyset 10 \times 8$		HD 150 μm N 200 μm d L 400 μm
Double scan	2 x teeth		N 200 μm d L 400 μm
Triple scan	3 x teeth		N 200 μm d L 400 μm

Endo = Endodontics, HR = High Resolution, HD = High Definition, N = Normal, L = Low, d = Default

Imaging modules

3D imaging

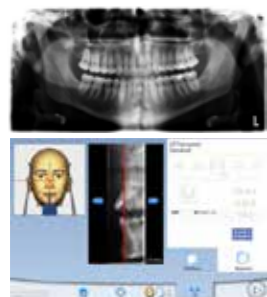


KaVo ProXam 3D provides high-resolution volumetric 3D images of the lower and upper jaw as well as the entire dental area.



3D endodontic imaging mode

2D imaging



The **SmartPan system** uses the same 3D Sensor for 2D panoramic images. Also includes MultiView SmartPan, which creates nine panoramic images at different angles. MultiView SmartPan can be used in the panorama programmes.

The **Auto Focus function** automatically positions the focal layer based on a low-dose Scout image of the centre of the patient's incisors. It uses points of reference in the patient's anatomy to calculate placement, allowing for error-free patient positioning.

Available: basic panorama programmes, horizontal and vertical segmentation, bitewing panorama programme.

Technical specifications

Classification	Medical Device Directive 93/42/EEC (Class IIb)
	RoHS: 2011/65/EU
	IEC 60601-1: Class I, Type B
	CISPR 11: Class B IP Classification: IP20
Generator	Constant potential, microprocessor controlled, resonant mode, operating frequency 80-150 kHz, Power factor corrector, meets the IEC 60601-2-7 standard
X-ray tube	D-0545B
Focal spot size	0.5 x 0.5 mm, according to IEC 60336
Total filtering	2D/Ceph: 2.5 mm Al eq 3D: 2.5 mm Al + 0.5 mm Cu
Anode voltage	2D: 60-84 kV Ceph: 60-84 kV 3D: 60-90 kV
Anode current	2D: 1-16 mA Ceph: 1-16 mA 3D: 1-14 mA (Steps with the R20 series: 1, 1.1, 1.25, 1.4, 1.6, 1.8, 2.0, 2.2, 2.5, 2.8, 3.2, 3.6, 4.0, 4.5, 5.0, 5.6, 6.3, 7.1, 8.0, 9.0, 10.0, 11.0, 12.5, 14.0, 16.0)
Exposure time	2D: 2.5-16 s Ceph: 6-10 s 3D: 3-36 s
SID	2D: 501 mm Ceph: 1700 mm 3D/SmartPan: 528 mm
Focus-skin distance	2D/3D: min. 150 mm Ceph: 1500 mm
Enlargement	2D: constant 1.2 Ceph: 1,13 3D: 1,58
Panorama image size	SmartPan: 190 x 100 mm
Line voltage	100-220 V/50 or 60 Hz 230-240 V/50 Hz Power Factor Corrector
Line current	8-17 A

Sensor specifications

3D	
Pixel size	127 µm
Active surface	13 x 13 cm
Sensor	
CCD pixel size	48 µm
Image pixel size	48/96/144 µm (adjustable)
CCD active surface	6 x 146 mm, 2D 6 x 292 mm, Ceph
Image sizes	SmartPan panorama, Adult: 13.0 x 29.1 cm, anatomical size 10.8 x 24.2 cm SmartPan panorama, Child: 11.2 x 25.2 cm, anatomical size 9.4 x 20.9 cm Ceph: 18 x 18 cm - 30 x 27 cm, anatomical size 15.9 x 15.9 cm - 26.5 x 23.9 cm

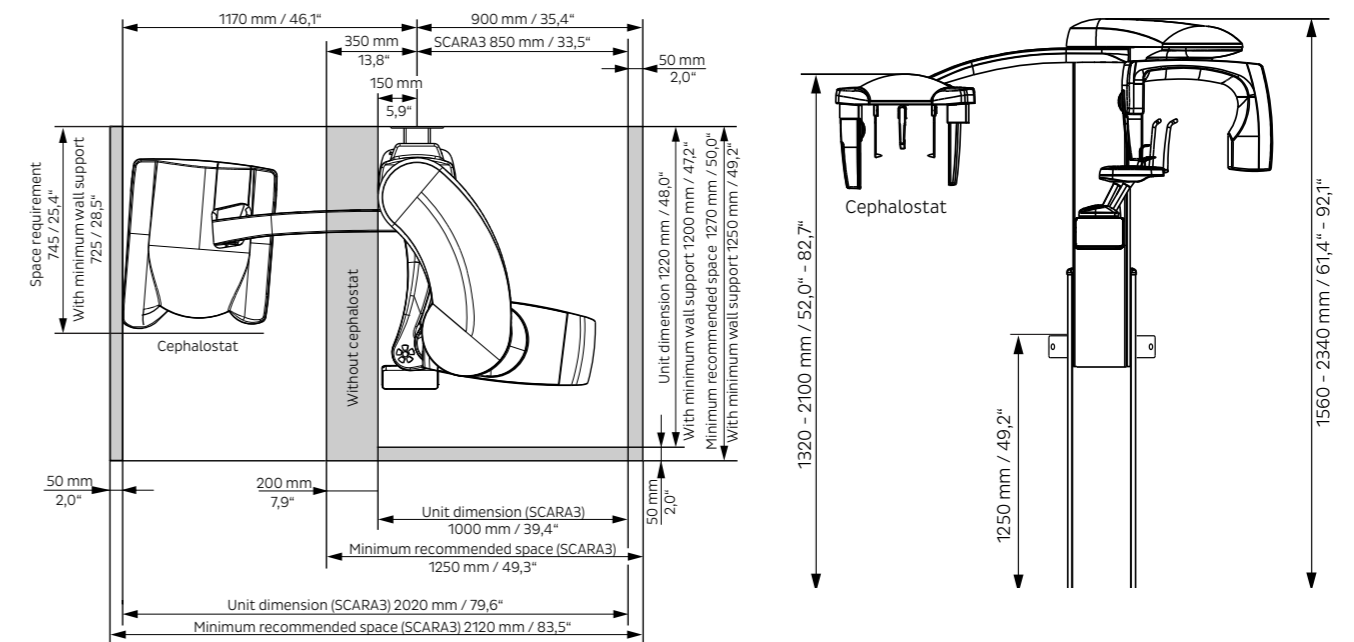
3D reconstruction computer

The 3D reconstruction computer is a high-performance Linux-based computer that acquires and reconstructs images from an imaging unit. This automatic reconstruction converts the original image data into the 3D volume, which is then transferred to the workstation (Romexis) and to the Romexis server for storage.

The 3D reconstruction computer is included in all deliveries of the KaVo ProXam 3D units.

Dimensions

The following figures illustrate the dimensions of the X-ray unit and the required minimum amount of space (grey area) for smooth operation.



The maximum height is adjustable

Weight	119 kg (3D unit) 26 kg (Ceph)
Chin rest level	96-178 cm
Ceph ear pad height	97-179 cm

Technical specifications

KaVo ProXam 3DQ CBCT X-ray unit

Product description

The KaVo ProXam 3DQ offers modern, three-dimensional maxillofacial imaging at the highest level, including numerous additional options for creating 2D panoramic, extraoral bitewing and cephalometric images. On the basis of extremely small voxel sizes, the KaVo 3D X-ray unit generates high-resolution and detailed CBCT images in diagnostically compelling quality and, thanks to the easy-to-use, intelligent setting modes, the image quality is impressive even at small radiation doses. In addition, this unit offers an even greater variety of preconfigured programmes for special diagnostic applications, especially in the ENT area. These include images of the sinus, nose, middle ear, petrous bone, cervical spine and airways.

Imaging modules

3D imaging

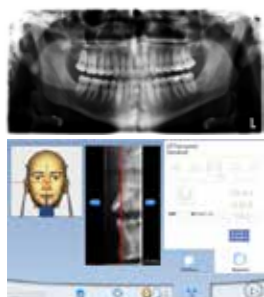


KaVo ProXam 3D provides high-resolution volumetric 3D images of the lower and upper jaw as well as the entire dental area.



3D endodontic imaging mode

2D imaging



The **SmartPan system** uses the same 3D Sensor for 2D panoramic images. Also includes MultiView SmartPan, which creates nine panoramic images at different angles. MultiView SmartPan can be used in the panorama programmes.

The unique **Auto Focus function** automatically positions the focal layer based on a low-dose Scout image of the centre of the patient's incisors. It uses points of reference in the patient's anatomy to calculate placement, allowing for error-free patient positioning.

Available: basic panorama programmes, horizontal and vertical segmentation, bitewing panorama programme.

2D imaging



Ceph for ceph images

Available resolution modes

Mode	Endodontics (optional)	High Resolution	High Definition (HD)	Normal	Low
Voxel size in μm	75	100	150	200/400	400/600


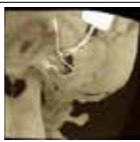

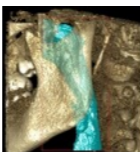
3D imaging programmes and volume sizes

3D standard programmes

Programme	Volume (child height), cm	Example	Mode/voxel
Tooth	$\varnothing 4 \times 5$ ($\varnothing 3.4 \times 4.2$)		Endo 75 μm HR 100 μm HD 150 μm N 200 μm d L 400 μm
	$\varnothing 4 \times 8$ ($\varnothing 3.4 \times 6.8$)		HD 150 μm N 200 μm d L 400 μm
Teeth	$\varnothing 8 \times 5$ ($\varnothing 6.8 \times 4.2$) $\varnothing 8 \times 8$ ($\varnothing 6.8 \times 6.8$) $\varnothing 10 \times 6$ ($\varnothing 8.5 \times 5.0$) $\varnothing 10 \times 10$ ($\varnothing 8.5 \times 8.5$)		HD 150 μm N 200 μm d L 400 μm
Jaw	$\varnothing 16 \times 6$ ($\varnothing 16 \times 6$) $\varnothing 16 \times 10$ ($\varnothing 16 \times 10$) $\varnothing 19 \times 6$ ($\varnothing 19 \times 6$) $\varnothing 19 \times 10$ ($\varnothing 19 \times 10$)		HD 200 μm N 400 μm d L 600 μm
Face	$\varnothing 19 \times 9$ ($\varnothing 19 \times 9$) individually $\varnothing 19 \times 15$ ($\varnothing 19 \times 15$) stitched		HD 200 μm N 400 μm d L 600 μm

Endo = Endodontics, HR = High Resolution, HD = High Definition, N = Normal, L = Low, d = Default

3D ENT programme

Programme	Volume (child height), cm	Example	Mode/voxel
Sinus	Ø10 x 8 Ø10 x 10 Ø10 x 14 Ø19 x 8 (Ø19 x 8) Ø19 x 10 (Ø19 x 10)		N Ø100 200 µm Ø200 400 µm d L Ø100 400 µm Ø200 600 µm
Nose	Ø8 x 8 (Ø6.8 x 6.8)		N 200 µm d L 400 µm
Middle ear	Ø4 x 5 (Ø3.4 x 4.2)		Endo 75 µm HR 100 µm HD 150 µm d N 200 µm
	Ø8 x 8 (Ø6.8 x 6.8)		HD 150 µm d N 200 µm L 400 µm
Middle ear pair	Ø4 x 5 (Ø3.4 x 4.2) Ø8 x 8 (Ø6.8 x 6.8)		N 200 µm d L 400 µm
Temporal bone	Ø8 x 8 (Ø6.8 x 6.8)		HD 150 µm d N 200 µm
Temporal bone pair	Ø8 x 8 (Ø6.8 x 6.8)		N 200 µm d L 400 µm
Cervical spine	Ø8 x 8 (Ø6.8 x 6.8)		N 200 µm d L 400 µm
Airways	Ø8 x 8 (Ø6.8 x 6.8)		N 200 µm d L 400 µm

Endo = Endodontics, HR = High Resolution, HD = High Definition, N = Normal, L = Low, d = Default

Sensor specifications

3D	
Pixel size	127 µm
Active surface	15 x 15 cm
Sensor	
CCD pixel size	48 µm
Image pixel size	48/96/144 µm (adjustable)
CCD active surface	6 x 146 mm, 2D 6 x 292 mm, Ceph
Ceph image size	300 x 270 mm
Image sizes	SmartPan panorama, Adult: 14.6 x 33.0 cm, anatomical size 10.4 x 23.6 cm SmartPan panorama, Child: 12.7 x 28.7 cm, anatomical size 9.0 x 20.5 cm Ceph: 18 x 18 cm - 30 x 27 cm, anatomical size 15.9 x 15.9 cm - 26.5 x 23.9 cm

3D reconstruction computer

The 3D reconstruction computer is a high-performance Linux-based computer that acquires and reconstructs images from an imaging unit. This automatic reconstruction converts the original image data into the 3D volume, which is then transferred to the workstation (Romexis) and to the Romexis server for storage.

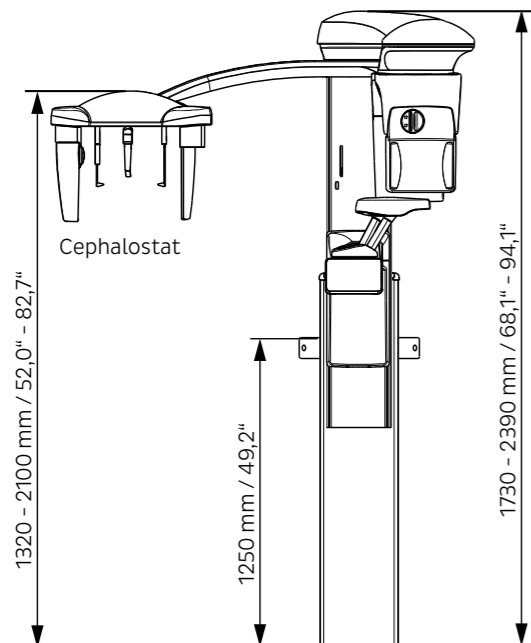
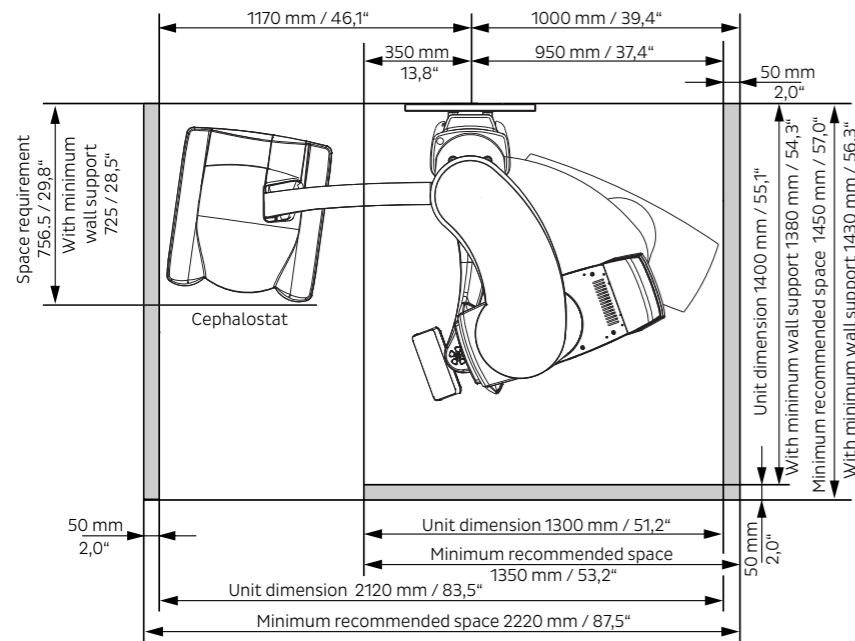
The 3D reconstruction computer is included in all deliveries of the KaVo ProXam 3D units.

Technical specifications

Classification	Medical Device Directive 93/42/EEC (Class IIb) RoHS: 2011/65/EU IEC 60601-1: Class I, Type B CISPR 11: Class B IP Classification: IP20
Generator	Constant potential, microprocessor controlled, resonant mode, operating frequency 80-160 kHz, Power factor corrector, meets the IEC 60601-2-7 standard
X-ray tube	D-0545B, D-0595BR or SXR 130-10-0.5 SC
Focal spot size	0.5 x 0.5 mm, according to IEC 60336
Total filtering	min. 2.5 mm Al + 0.5 mm Cu
Anode voltage	2D: 60-84 kV Ceph: 60-84 kV 3D: 60-90 kV
Anode current	2D: 1-16 mA Ceph: 1-16 mA 3D: 1-14 mA (Steps with the R20 series: 1, 1.1, 1.25, 1.4, 1.6, 1.8, 2.0, 2.2, 2.5, 2.8, 3.2, 3.6, 4.0, 4.5, 5.0, 5.6, 6.3, 7.1, 8.0, 9.0, 10.0, 11.0, 12.5, 14.0, 16.0)
Exposure time	2D: 2.7-16 s SmartPan: 2.5-15.6 s 3D: 3-36 s
Scan time	14-37 s
Scan angle	200° / 360°
SID	2D: 574 mm Ceph: 1700 mm 3D/SmartPan 90kV: 600 mm
Focus-skin distance	min. 150 mm
Enlargement	SmartPan: 1,4 3D: 1,8 / 1,43 / 1,42 / 1,40 / 1,38
Panorama image size	SmartPan: 190 x 100 mm
Line voltage	100-240 V- ±10%, 50 or 60 Hz Power Factor Corrector
Line current	8-15 A

Dimensions

The following figures show the dimensions of the X-ray unit and the minimum space required (grey area) for smooth operation.



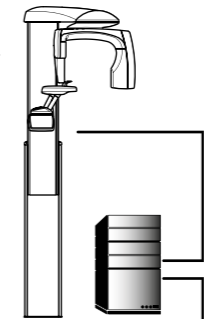
The maximum height is adjustable

Weight	141 kg (3D unit) 26 kg (Ceph)
Chin rest level	97-171 cm
Ceph ear pad height	97-179 cm

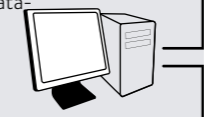
Romexis Technical specifications

Example installation

Included in scope of delivery: 3D unit with 3D reconstruction server

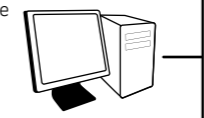
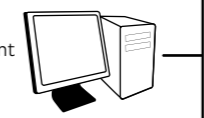


Minimum set-up: Client workstation and database server
 • Romexis 3D Explorer
 • Database server
 • Romexis Image database
 The client workstation and database server can reside on separate computers.



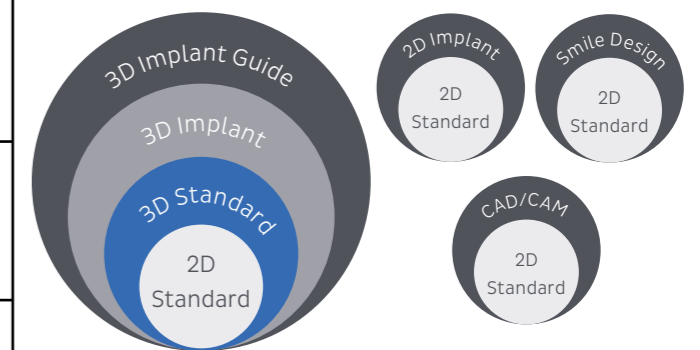
Ethernet

Additional equipment: Additional diagnostic workstations with different software configurations
 Romexis tools:
 • 3D Explorer
 • 3D cross-section module
 • 3D TMJ module
 • 3D Implant Planning module
 • DICOM module



Technical specifications

Supported 2D modalities	Intraoral, panorama, cephalometric X-ray, linear 2D tomography, photos, layer recordings (CBCT and panoramic layers)
Supported 3D modalities	3D CBCT, 3D photo, 3D surface scan
Supported photo sources	Intraoral camera Digital camera or scanner (import or TWAIN images)
Operating systems	Windows 8.1 Pro (64-bit) / Windows 10 Pro (64-bit) Windows Server 2012 to Windows Server 2019 macOS Mojave (10.14)* / macOS Catalina (10.15)* For more information, see Romexis system requirements
Image formats	JPEG or TIFF (2D images) DICOM (2D and 3D images) STL, OBJ, PLY (3D surface models) DICOM, TIFF, JPEG, PNG, BMP, STL, PLY (imports/exports)
Image size	2D X-ray images: 1-9MB 3D X-ray images: typically 50MB -1GB
Installation options	Client server
DICOM 3.0 support	DICOM import and export DICOM DIR Media Storage
Interfaces	TWAIN Client PMBridge (patient data and images) VDDS (patient data and images) InfoCarrier (patient data)
Integration of third-party software	Dolphin Imaging Nobel Clinician Implant Straumann co DiagnostiX Cybermed N - Liten 3D Diagnostics service 360 imaging service



Index

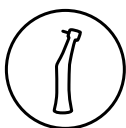
KaVo	Page
2D	36
3D	40,42
3DQ	40,43
CBCT	40
Ceph imaging	48
Cephalostat	48
Extraoral	34
Imaging plate	26
Implant workflow	59
Interview	08
Intraoral	14
Intraoral scanner	30
Intraoral emitter	16
KaVo ProXam iX	16
KaVo ProXam iS	20
KaVo ProXam iP	24
KaVo ProXam iOS	26
KaVo ProXam 2D	36
KaVo ProXam 3D	40,42
KaVo ProXam 3DQ	40, 43
Maintenance	64
PSP scanners	26
Panoramic shots	36
Romexis	52
Service	60
Small X-ray	16
Software	50
Technical specifications	66

Dental Excellence in every area



Practice equipment

KaVo treatment units, operating lights, dentists' chairs, patient communication systems and other accessories for the dental practice



Instruments

Dental straight and contra-angle handpieces, turbines, air polishing handpieces and small units for all areas of application from diagnostics via prophylaxis to restoration, surgery, endodontics and instrument care and maintenance



X-ray

Intraoral X-ray, sensors and imaging plates, panoramic and Ceph imaging, as well as dedicated CBCT equipment for any indication in dentistry.



X-ray products that were produced and marketed under the KaVo brand before March 2023 still belong to the Envista Group and the "Dexis" brand. This means that KaVo Dental cannot and may not offer repairs, spare parts or other support for these products.

Note: Before KaVo Dental became part of the Planmeca group, the company was part of Danaher and then Envista. Until February 2023 Envista has sold X-ray products under the "KaVo" brand, which are still on the market today as KaVo units. All "KaVo" X-ray products that were produced before March 2023 can no longer be serviced by KaVo in Biberach, as they still belong to Envista or the Envista brand "Dexis".

The products, equipment and services shown and described in this catalogue are not available in all countries. All information corresponds to the knowledge available at the time of printing. KaVo Dental GmbH assumes no responsibility for discrepancies in the colour or shape of the images, or for errors or misprints, and reserves the right to make changes to the brochures at any time. Reproduction, even in excerpts, is only permitted with consent from KaVo Dental GmbH.