

Receptive Ingenious Innovative

SILVERFOX



SILVERFOX CORPORATION LIMITED

No.18, 1st TongLe Road, TangXia Town, Pengjiang District,
Jiangmen City, Guangdong Province, China
+86-750-2633-320
sales@silverfoxgp.com
facebook.com/silverfoxdental
<https://dental.silverfoxgp.com>



Web

Basic Model
8000B-CRS0
Dental Unit



Company profile

A group of individuals full of passion, dreams and pursuits, with gratitude and ingenuity, who are committed to improving the health and well-being of its clients.

Founded in 1995, the Silverfox brand unites a group of strivers, focused on the research, development and manufacturing of medical, dental and cosmetic equipment. Today, Silverfox has become the leader of the global exam chair & treatment table segment.

In 2016, we entered the dental equipment field and developed the dental chair 8000C series. Since then, we have listened to dentists, patients and our resale partners as to better improve customer experience and product innovation. Following this feedback, we have developed and improved the 8000C series in 2022, by enhancing its appearance as well as offering a more comfortable and a user-friendly experience. This newly launched 8000C series exemplifies our commitment to forming a strong bridge of communication between the Silverfox brand and its customers.

In addition, we have established a strong R&D team, alongside a 50,000 square meters (548,000 square feet) manufacturing center equipped with advanced production machinery and technique. We have also built a products and components testing laboratory following strict quality management guidelines. We hold this solid production foundation as proof and our strongest guarantee of our mission to bring high-quality dental equipment to our customers.

We believe the success of our customers is our greatest achievement.



8000B-CRSO

Receptive Ingenious Innovative



Water Unit



Easy detachable solid filter for saliva ejector and vacuum



The water box with door can swivel 90 degrees for easy and efficient daily maintenance



Assistant module on Compact Water Box



Detachable Faucet



Detachable Swivel Glass Bowl (Options)

Swivel Ceramic Bowl

swivel ceramic bowl for SRS0, SMS0 model swivel melamine or glass bowl available for CRS0, CMS0 model.



Dentist Operation Module



- Touch Panel with big touch button for easy control.
- 2 reprogramable postions, Last position and zero postion.
- The chair movements can be stopped automatically by the safety lock device when any of the handpiece is taken down.
- Height-adjustable support arm with pneumatic brake.
- 5pcs of instrument holders: Syringe *1, handpiece tubing *3, scaler *1 (for option)

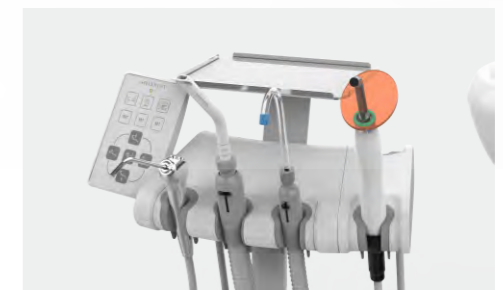


Sterilizable Silicone Pad

Customizable assistant module



American type



European type



Electric control



3+2customizable instrument holders

Firefly LED dental light



8L01

The new Firefly LED light adopts a reflection type design is light in weight, ensuring a smooth operating experience. With the touchless sensor, it is easy to switch brightness from 7,000lux to 30,000lux. The high quality LED light source distribute light with high color rendering index (CRI>90), which is close to the sunlight and gives a true representation of teeth shade. Meanwhile, the light contains less harmful blue light wave, reduce eyes fatigue even after a long treatment.



Touchless sensor can control the on/off and brightness



The removable Light Handle makes the cleaning easier



The light has the Yellow mode

Dentist stool

8C01 (Standard)

N.W: 10.7kg
G.W: 12.6kg
Package: 590x300x600mm



Relax mode

The Relax mode keep the body in a relaxed state.

Lift the backrest to the level of dorsal and tilt backward, adjust the seat-rest at horizontal angle.



Consulting mode

The Consulting mode facilitates face-to-face communication between dentists and patients in a comfortable posture.

Adjust the backrest to upright position, and seat-rest to horizontal angle, this posture helps support the spine at a straight and comfortable state.



Operation mode

The Operation mode is specially suitable for working at a forward leaning position.

Adjust the backrest to support the waist, and the seat-rest at incline angle. Helping the thigh and calf to form a 120-degree angle will reduce stress of the spine and prevent injury.

Assistant stool

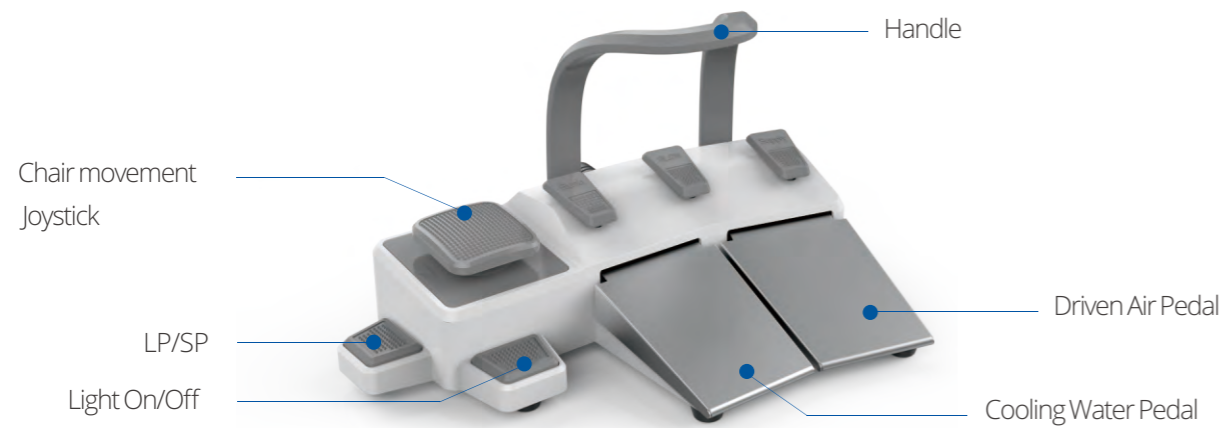
1028A (Optional)

N.W: 9.3kg
G.W: 11.2kg
Package: 590x300x600mm




Multifunctional foot pedal


8J02 (Optional)




8J01 (Standard)



 Instruments spray water when only Cooling Water Pedal is pressed.

 Instruments operates with mist when both Pedals are pressed.

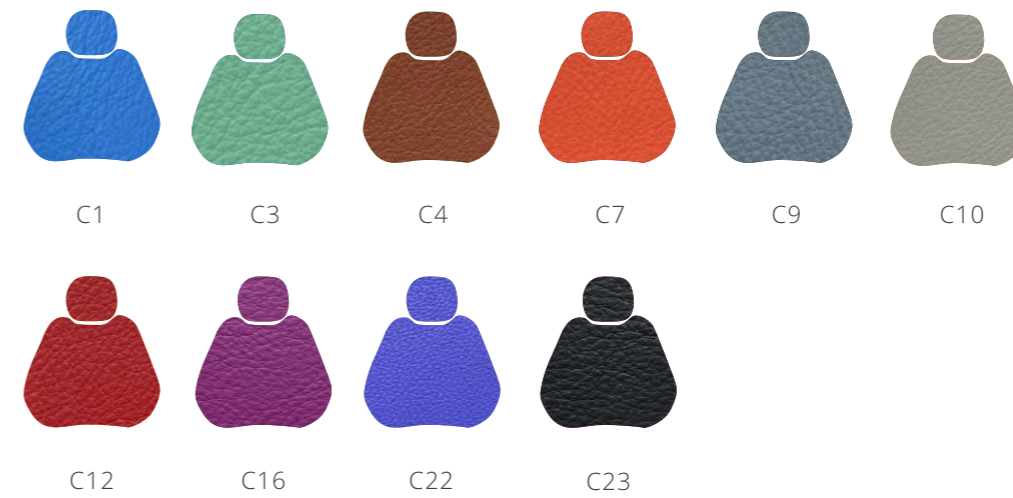
 Instruments operates with air when only Driven Air Pedal is pressed.

Your style your choice

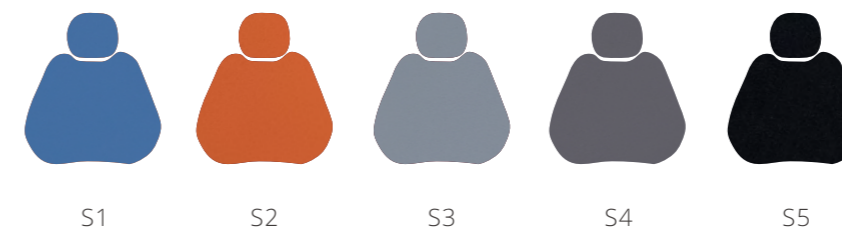
Formed Upholstery (PVC)



Sewn Upholstery (microfiber)

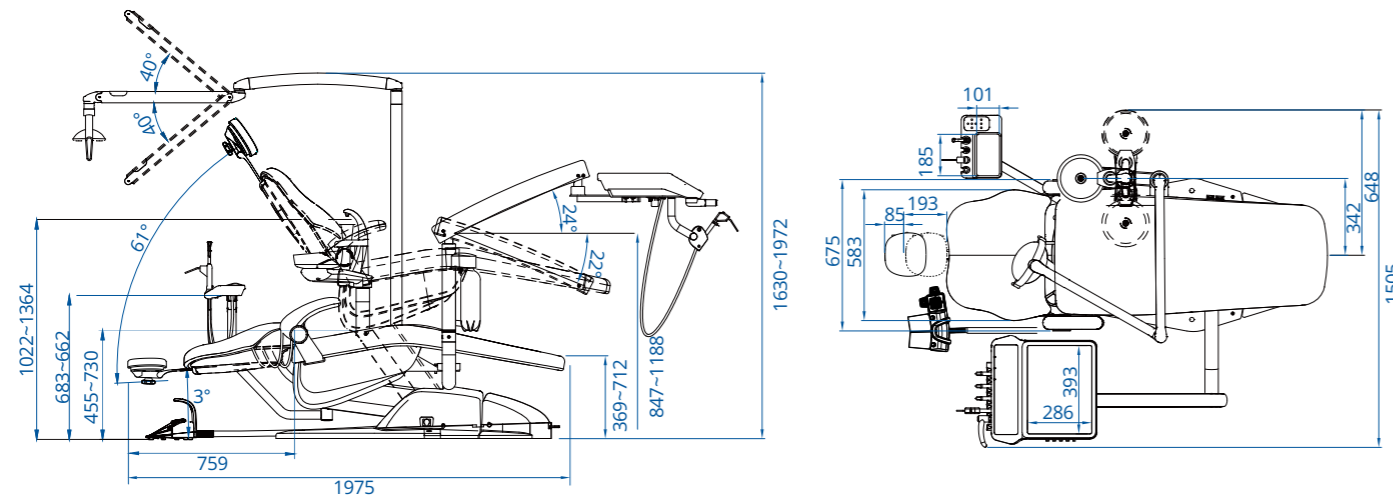


Sewn Upholstery (Silicone)

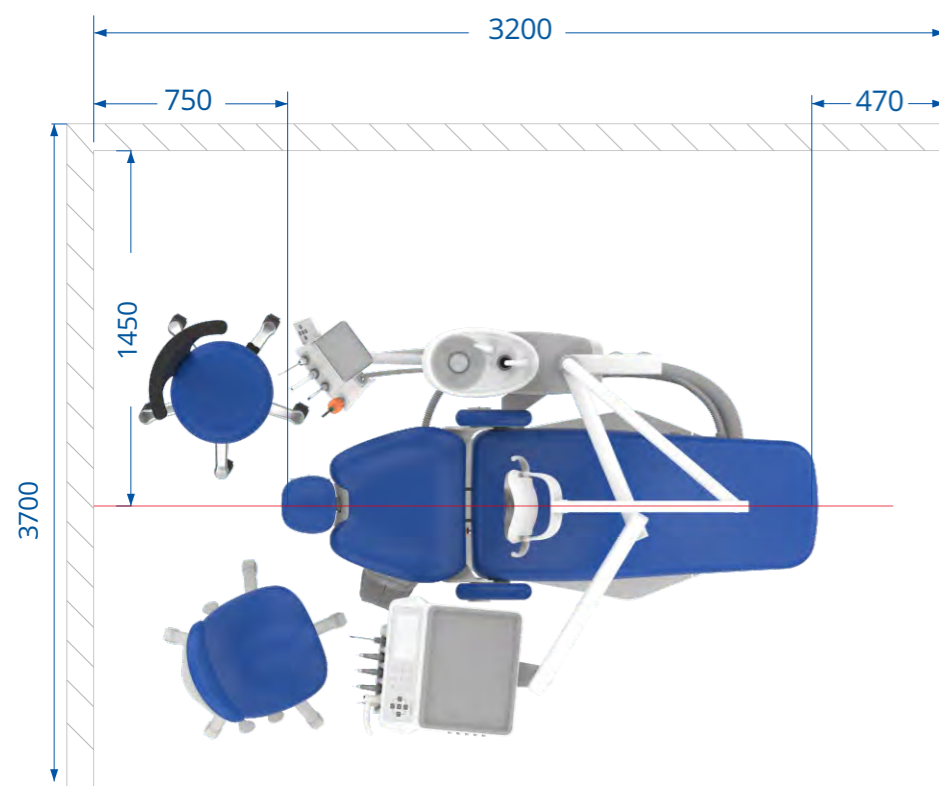


Dimensions

Unit:(mm)



Room space requirement



Specification & Details

Models	8000B-CRS0
Patient Chair	
Chair Movement Range	Chair Lift Range :38cm ~ 73cm / Backrest Tilt Range: 5 ~ 75 degree
Chair Features	Soft start & stop / Variable speed tilting
Chair Base Option	White Color Base (plastic covered)
Safety Features	Emergency Stop button / Collision Protection Device / Chair locked when handpiece activated
Loading Capacity	175 kgs (385 lbs)
Dentist Unit	
Dentist Unit Option	Hanging Hose Type
Handpiece Holder positions	Syringe x1 + Turbine Handpiece x2 + Motor/Turbine Handpiece x1 + Ultrasound Scaler x1
Handpiece Tubing Type	2 Holes / 4 Holes / 6 Holes (with fiber optic system, option)
Control Console	Touch Panel (with 7inch x-ray film viewer)
Programs	2 customized program, LP/SP, Zero, Cup Filler and Bowl Rinse timer customizable
Micromotor Options	Bien Air MCX / Silverfox Motor
Instrument Tray	Tray on Hanging support x1
Assistant Module	
Control Console Functions	Chair Movement Control, LP/SP, Zero, M1, M2, Bowl Rinse, Cup Filler, Light Switch
Handpiece Holder positions	Syringe x1 + HVE x1 + Saliva Ejector x1 + Customizable position x2 (option)
Instrument Tray	Instrument Tray x1
Water Unit	
Water Box Type	Compact Water Box, 90 degree swivel
Suction Element Type	Wet Suction System or Interior Suction (air & water driven)
Bottles	1 Litre Distilled water bottle x1, 1 Litre Disinfectant bottle x1
Cuspidor	Detachable Frosted Glass bowl, with 180 degree swivel or Rotatable Ceramic bowl
Heater	Optional
Disinfection	
W.B.C (Water Bio Control system)	Optional
Dental Light	8L01 LED Reflection Type Dental Light
Color Rendering Index	>90
Color Temperature	2,700 and 5,500k
Luminance	7,000-30,000 (±10%) Lux at Standard Mode 7,000-20,000 (±10%) Lux at yellow Mode
Yellow Mode	Yellow mode
Control	1pc of 8C01 doctor stool, 1pc of 1028A assistant stool(Optional)
Packing Info	
Dental Unit Packing	1 pc of doctor stool included in the wooden case 146 (L) * 104 (W) * 110 (H) cm G.W. 316kg / N.W. 261kg